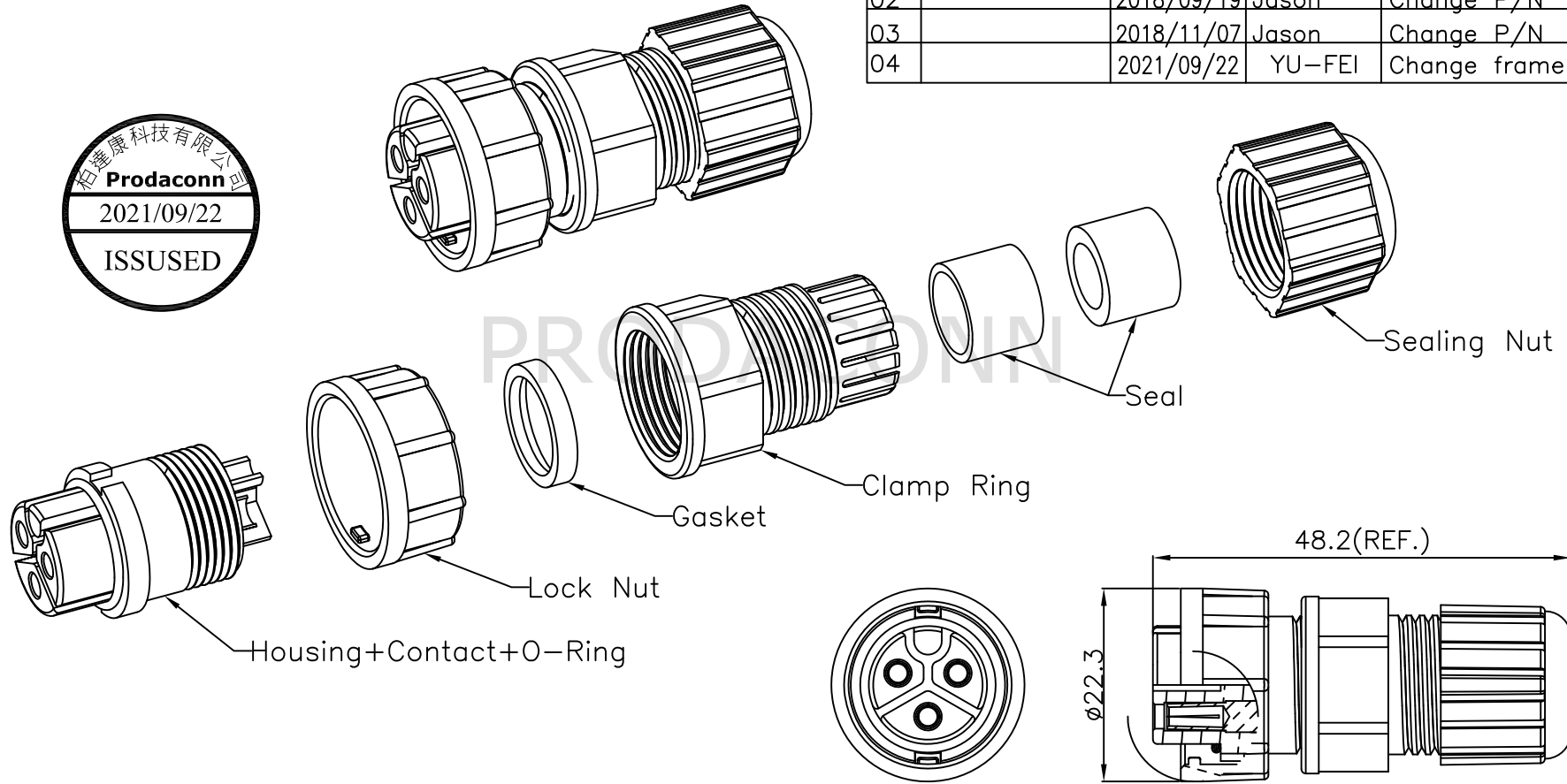


REV.	ECN NO.	DATE	SIGN	DESCRIPTION
01	Initial Release	2018/09/06	Jason	New Item
02		2018/09/19	Jason	Change P/N
03		2018/11/07	Jason	Change P/N
04		2021/09/22	YU-FEI	Change frame

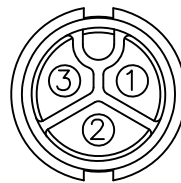


Note:

- * IP Grade: IP67
- * Rated current: 20A
- * Rated voltage: 250V

NO.	ITEM	SPEC	QTY
8		Sealing Nut: Nylon+GF,Black	1
7		Seal: Rubber	2
6		Clamp Ring: PBT+PC,Black	1
5	Power Assy(Lock)	O-Ring: Rubber	1
4	F Conn. F Pin(20A)	Lock Nut: Nylon+GF,Black	1
3		Gasket: Rubber	1
2		Pin: Copper Alloy,Gold Plated	3
1		Housing: Nylon+GF,Black	1

BOM LIST



Pin Assignments
Front View

		All dimension in mm	
		TOLERANCE UNLESS OTHERWISE SPECIFIED ± 0.5	REV. 04 SCALE 1:1
DRAWN BY YU-FEI	APPROVED BY Roy	DATE(Y/M/D) 2021/09/22	PAGE 1/1 SIZE A4
PART NO: POW03-FFAP-LS0-F0		TITLE: POWER 3PIN ASSY F PIN(LOCK)	
CUSTOMER NO:			
THIS DOCUMENT IS CONFIDENTIAL AND A PROPERTY OF PRODACONN. DISCLOSURE TO THIRD PARTY HAS TO BE AUTHORIZED BY PRODACONN			