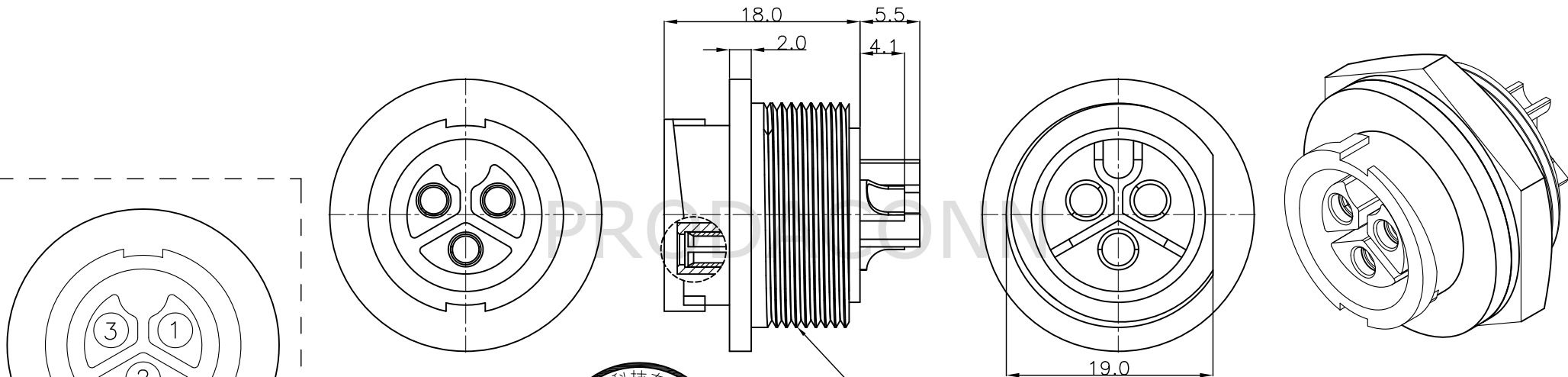
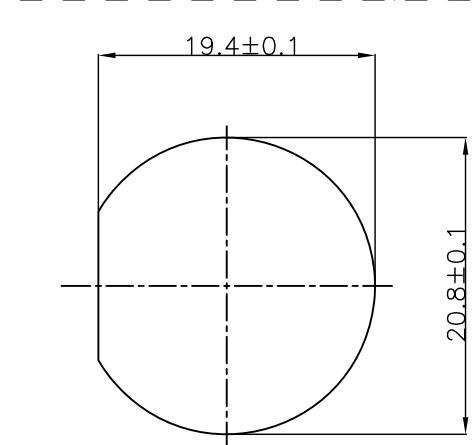


REV.	ECN NO.	DATE	SIGN	DESCRIPTION
01	Initial Release	2021/09/29	YU-FEI	New Item

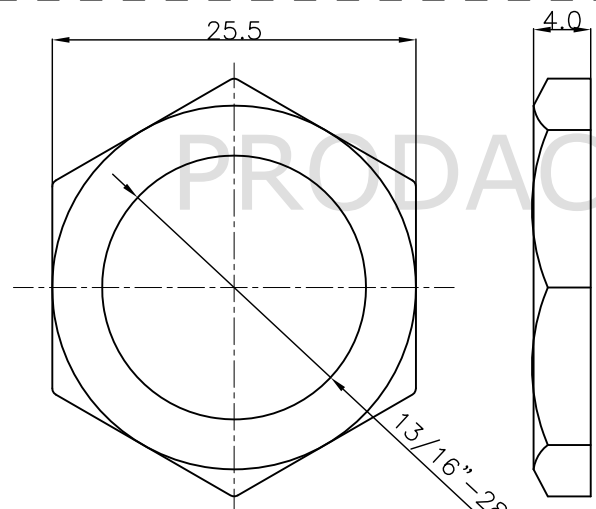


Note:
 * IP Grade: IP67
 * Rated current: 20A
 * Rated voltage: 250V

Pin Assignments
Front View



Recommend
Panel Cut-Out



Nut

4		Nut: Nylon,Black	1
3	Circular Middle(Lock)	Gasket: Rubber	1
2	M Conn. F Pin	Pin: Copper Alloy,Gold Plated	3
1		Housing: Nylon,Black	1
NO.	ITEM	SPEC	QTY

BOM LIST

PRODACONN

TOLERANCE UNLESS OTHERWISE SPECIFIED: ±0.5

REV. 01
SCALE 1:1

All dimension in mm

DRAWN BY YU-FEI	APPROVED BY Roy	DATE(Y/M/D) 2021/09/29	PAGE 1/1	SIZE A4
PART NO: POW03-MFPH-LS0-F0		TITLE POWER 3PIN ASSY F PIN(LOCK)		
CUSTOMER NO:				

THIS DOCUMENT IS CONFIDENTIAL AND A PROPERTY OF PRODACONN. DISCLOSURE TO THIRD PARTY HAS TO BE AUTHORIZED BY PRODACONN