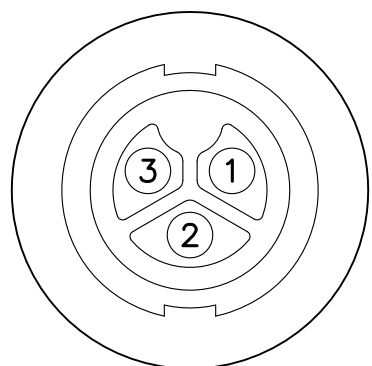
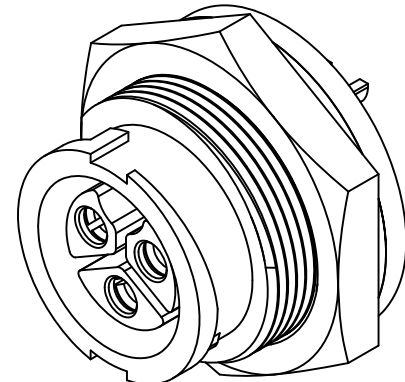
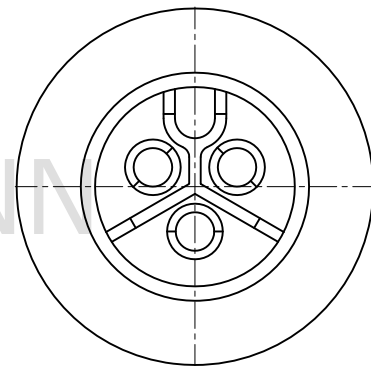
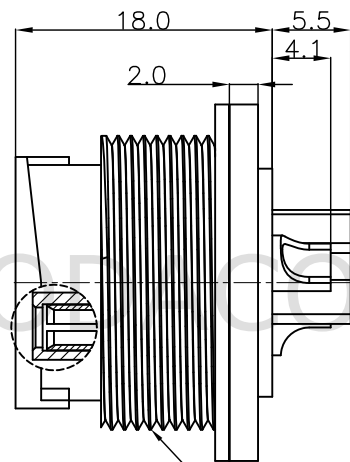
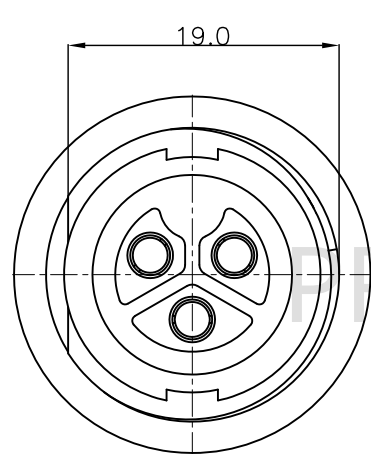


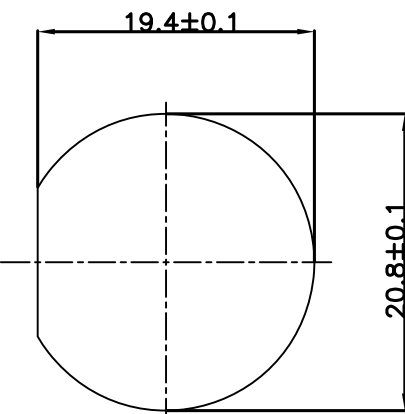
REV.	ECN NO.	DATE	SIGN	DESCRIPTION
01	Initial Release	2021/09/29	YU-FEI	New Item



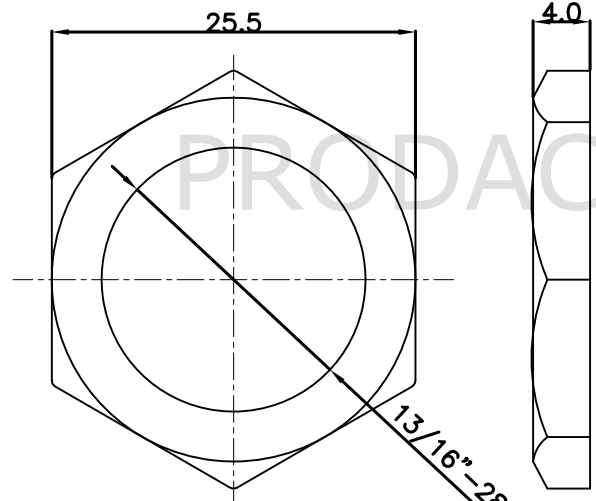
Pin Assignments
Front View



Note:
 * IP Grade: IP67
 * Rated current: 20A
 * Rated voltage: 250V



Recommend
Panel Cut-Out



Nut

4		Nut: Nylon,Black	1
3	Circular Middle(Lock) M Conn. F Pin	Gasket: Rubber	1
2		Pin: Copper Alloy,Gold Plated	3
1		Housing: Nylon,Black	1
NO.	ITEM	SPEC	QTY

BOM LIST



All dimension in mm TOLERANCE UNLESS OTHERWISE SPECIFIED ±0.5	REV.	01
	SCALE	1:1

DRAWN BY	YU-FEI	APPROVED BY	Roy	DATE(Y/M/D)	2021/09/29	PAGE	1/1	SIZE	A4
PART NO:	POW03-MFPF-LS0-F0		TITLE POWER 3PIN ASSY F PIN(LOCK)						
CUSTOMER NO:									

THIS DOCUMENT IS CONFIDENTIAL AND A PROPERTY OF PRODACONN. DISCLOSURE TO THIRD PARTY HAS TO BE AUTHORIZED BY PRODACONN