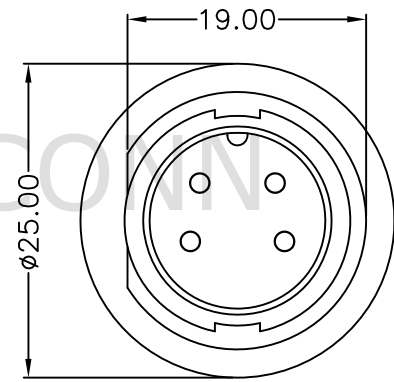
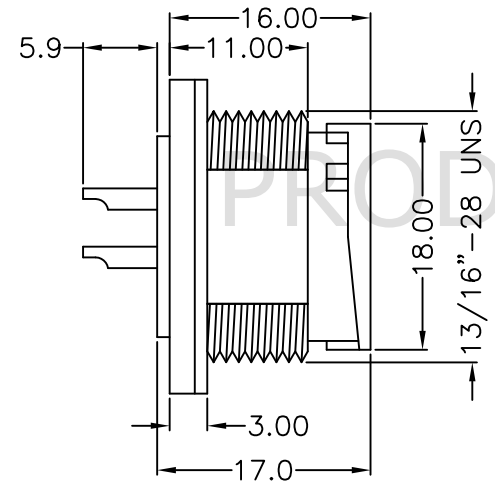
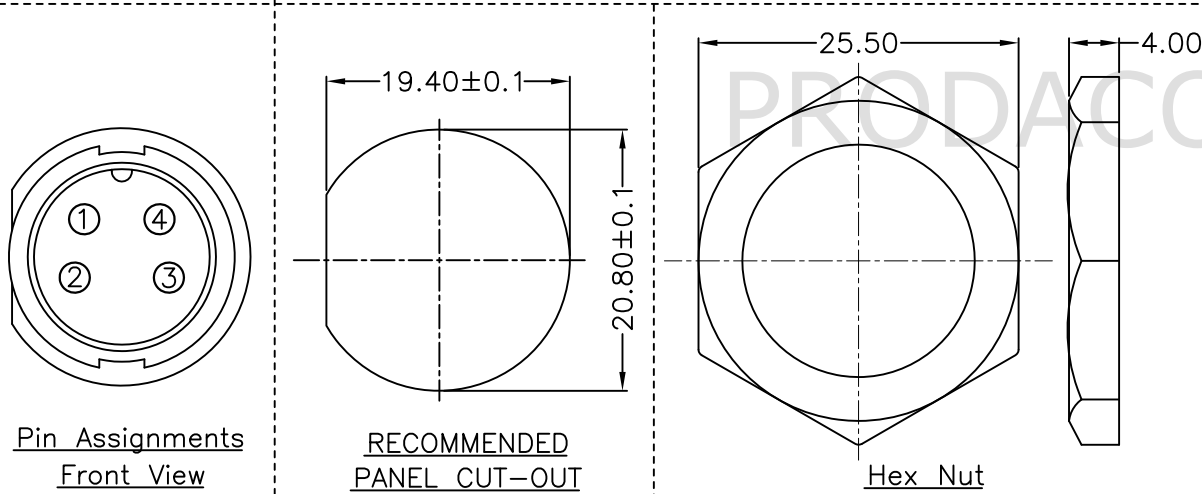


REV.	ECN NO.	DATE	SIGN	DESCRIPTION
01	Initial Release	2021/09/06	YU-FEI	New Item



Note:
 * IP Grade: IP67
 * Rated current: 10A
 * Rated voltage: 250V

4		Hex Nut: Nylon	1
3	CIRCULAR MIDDLE PANEL	Gasket: Rubber	1
2		Pin: Copper Alloy,Gold Plated	4
1		Housing: Nylon,Black	1
NO.		ITEM	SPEC



BOM LIST

All dimension in mm

PRODACONN

TOLERANCE UNLESS OTHERWISE SPECIFIED: ±0.5

REV. 01
SCALE 1:1

DRAWN BY: YU-FEI APPROVED BY: Roy DATE(Y/M/D): 2021/09/06 PAGE: 1/1 SIZE: A4

PART NO: CCB04-MMPF-LS0-F0 TITLE: CIRCULAR MIDDLE PANEL

CUSTOMER NO:

THIS DOCUMENT IS CONFIDENTIAL AND A PROPERTY OF PRODACONN. DISCLOSURE TO THIRD PARTY HAS TO BE AUTHORIZED BY PRODACONN