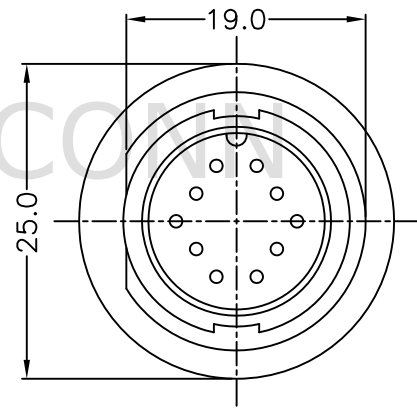
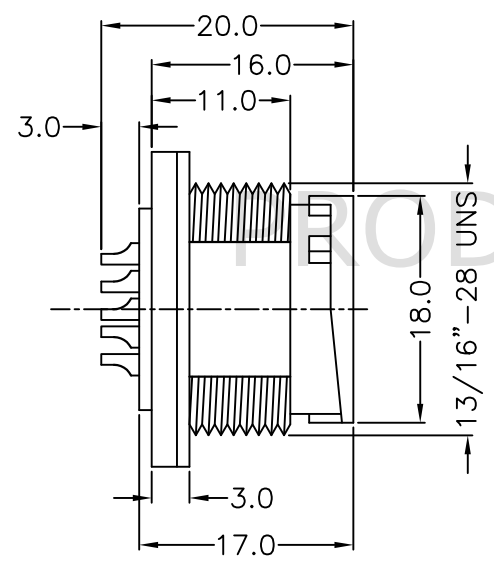
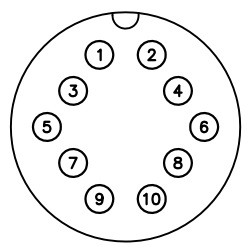


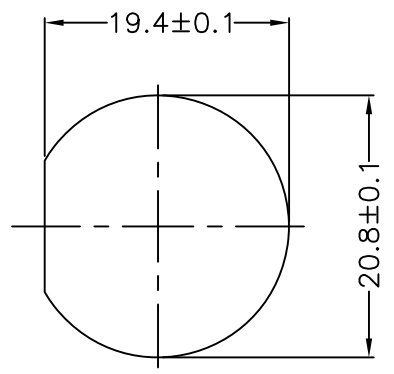
REV.	ECN NO.	DATE	SIGN	DESCRIPTION
01	Initial Release	2021/09/06	YU-FEI	New Item



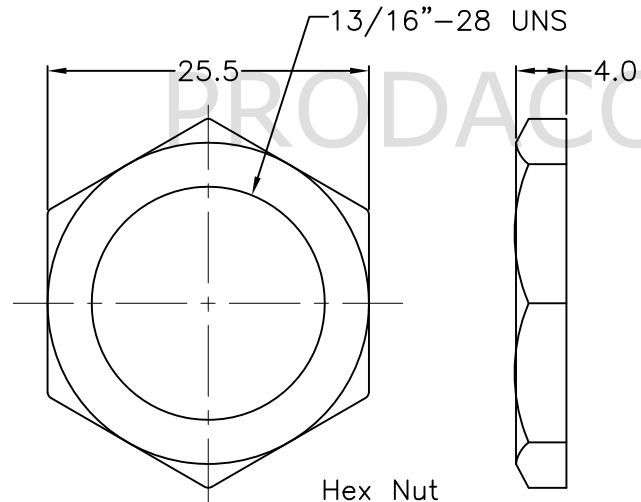
- Note:
- * IP Grade: IP67
 - * Rated current: 5A
 - * Rated voltage: 250V



Pin Assignments
Front View




Recommend Panel Cut-Out



Hex Nut

4		Hex Nut: Nylon	1
3	CIRCULAR MIDDLE PANEL	Gasket: Rubber	1
2		Pin: Copper Alloy,Gold Plated	10
1		Housing: Nylon,Black	1
NO.		ITEM	SPEC

BOM LIST



⊕ All dimension in mm

TOLERANCE UNLESS OTHERWISE SPECIFIED

±0.5

REV. 01	SCALE 1:1
DRAWN BY YU-FEI	APPROVED BY Roy
DATE(Y/M/D) 2021/09/06	PAGE 1/1 SIZE A4
PART NO: CCD10-MMPF-LS0-F0	TITLE: CIRCULAR MIDDLE PANEL
CUSTOMER NO:	

THIS DOCUMENT IS CONFIDENTIAL AND A PROPERTY OF PRODACONN. DISCLOSURE TO THIRD PARTY HAS TO BE AUTHORIZED BY PRODACONN