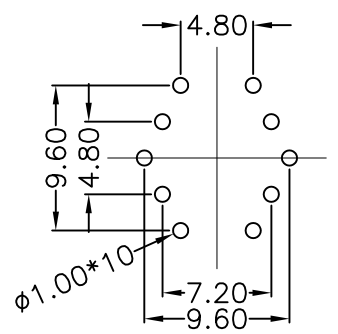
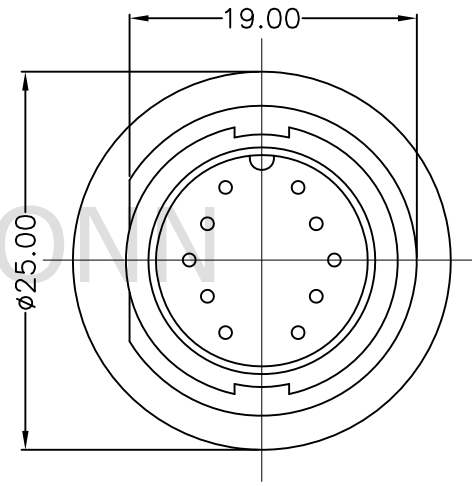
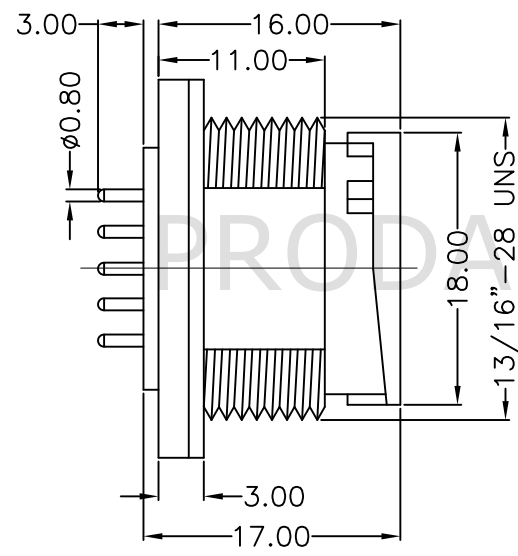


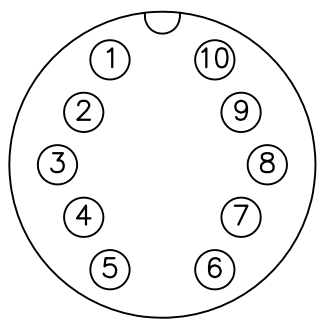
REV.	ECN NO.	DATE	SIGN	DESCRIPTION
01	Initial Release	2021/09/07	YU-FEI	New Item



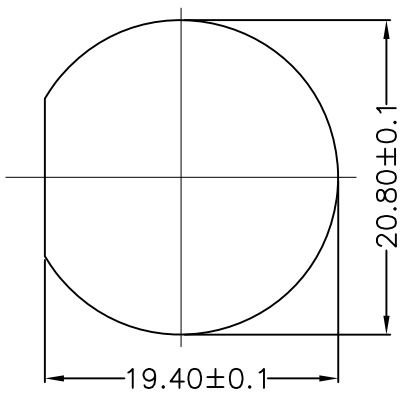
Recommend Panel Cut-Out



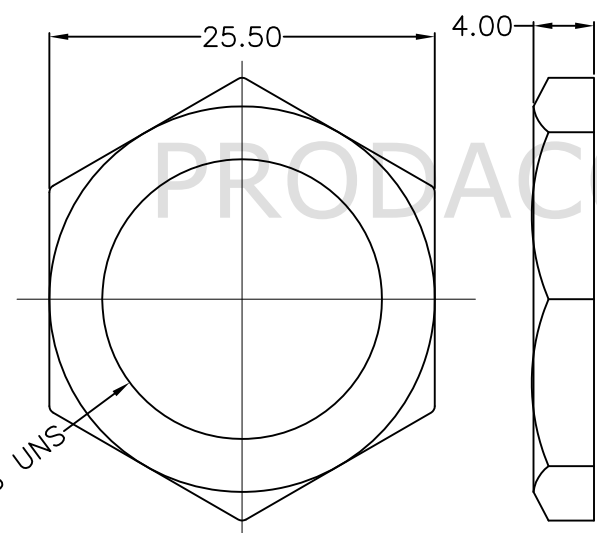
- Note:
- * IP Grade: IP67
 - * Rated current: 2A
 - * Rated voltage: 250V



Pin Assignments Front View



Recommended Panel Cut



Nut

4		Nut: Nylon+GF,Black	1
3		O-Ring: Rubber	1
2	Circular Large(Lock) Male (2A)	Pin: Copper Alloy,Gold Plated	10
1		Housing: Nylon+GF,Black	1
NO.	ITEM	SPEC	QTY

BOM LIST			
		All dimension in mm	
TOLERANCE UNLESS OTHERWISE SPECIFIED ± 0.5		REV.	01
SCALE		1:1	
DRAWN BY	APPROVED BY	DATE(Y/M/D)	PAGE SIZE
YU-FEI	Roy	2021/09/07	1/1 A4
PART NO:		TITLE	
CCU10-MMPF-LD0-F0		CIRCULAR LARGE(LOCK),PANEL	
CUSTOMER NO:			

THIS DOCUMENT IS CONFIDENTIAL AND A PROPERTY OF PRODACONN. DISCLOSURE TO THIRD PARTY HAS TO BE AUTHORIZED BY PRODACONN