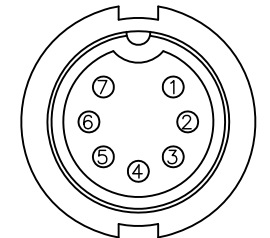
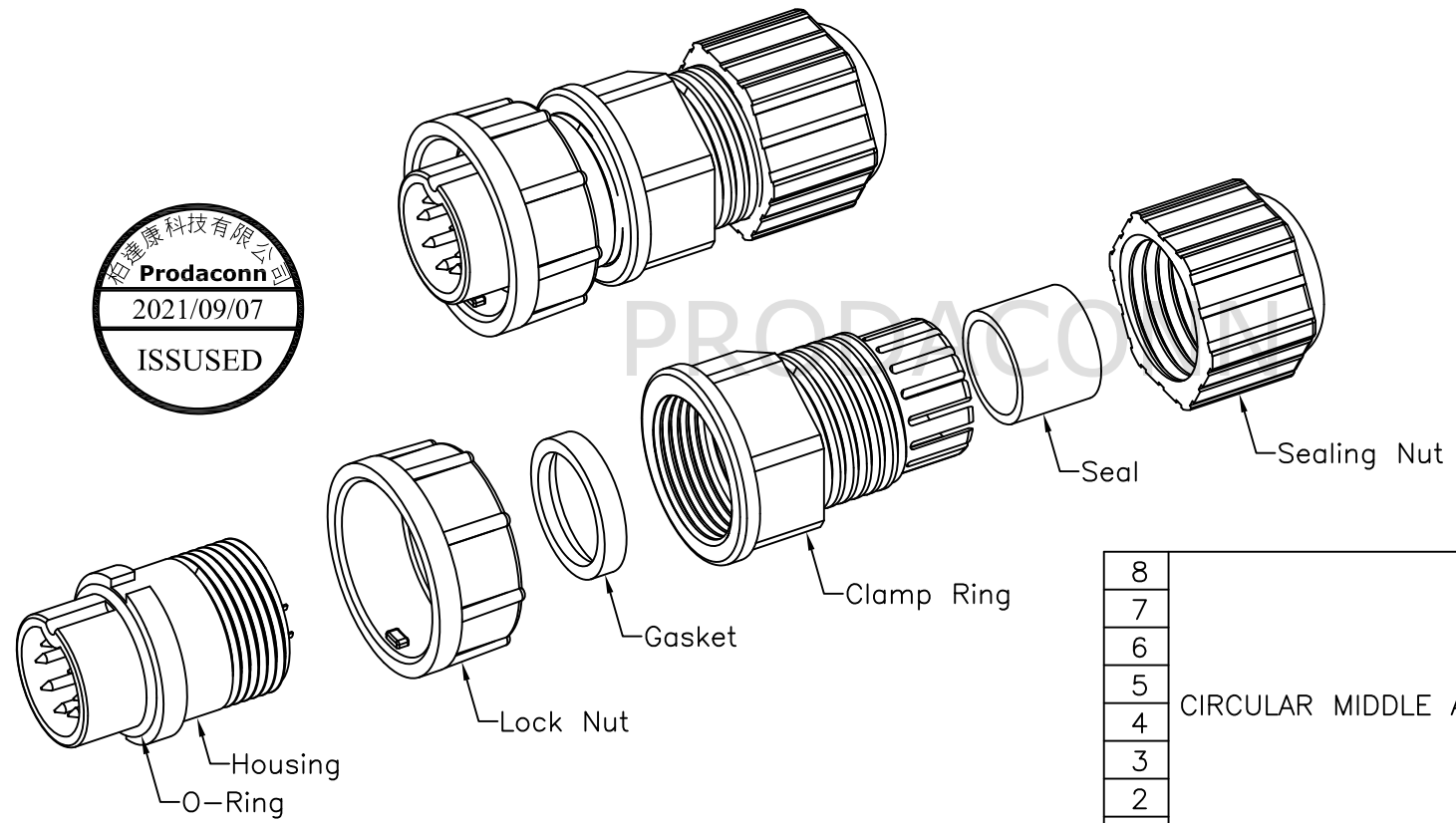


REV.	ECN NO.	DATE	SIGN	DESCRIPTION
01	Initial Release	2021/09/07	YU-FEI	New Item



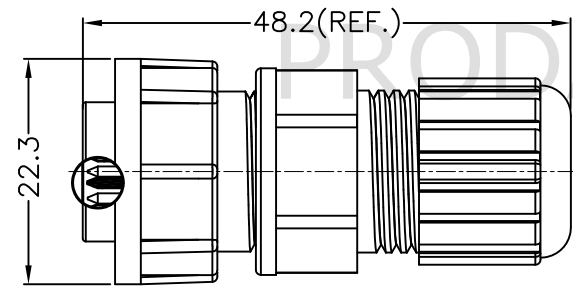
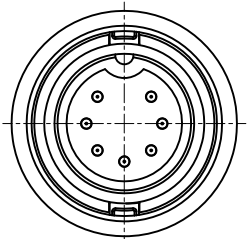
Pin Assignments
Front View

- Note:
- * IP Grade: IP67
 - * Rated current: 5A
 - * Rated voltage: 250V



8		Sealing Nut: Nylon,Black	1	
7		Seal: Rubber	1	
6		Clamp Ring: Nylon,Black	1	
5	CIRCULAR MIDDLE ASS'Y	Gasket: Rubber	1	
4		Lock Nut: Nylon,Black	1	
3		O-Ring: Rubber	1	
2		Pin: Copper Alloy,Gold Plated	7	
1		Housing: Nylon,Black	1	
NO.		ITEM	SPEC	QTY

BOM LIST



Recommend Cable OD=φ6.5mm~φ7.6mm

PRODACONN

TOLERANCE UNLESS OTHERWISE SPECIFIED: ±0.5

REV. 01

SCALE 1:1

DRAWN BY	APPROVED BY	DATE(Y/M/D)	PAGE	SIZE
YU-FEI	Roy	2021/09/07	1/1	A4

PART NO:	TITLE
CCD07-FMAP-LS0-F0	CIRCULAR MIDDLE ASS'Y
CUSTOMER NO:	