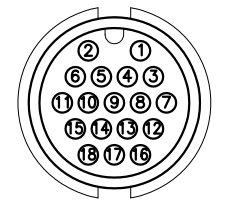
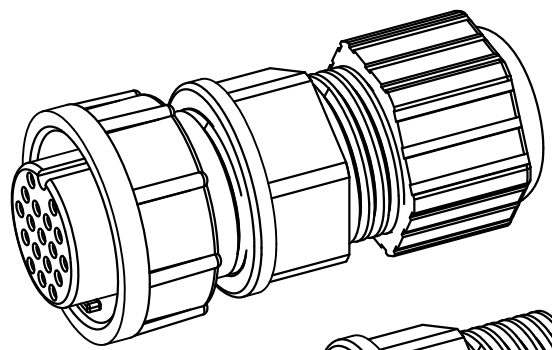
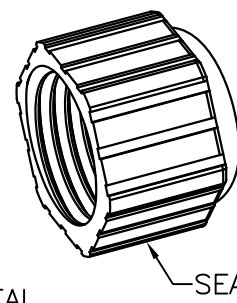
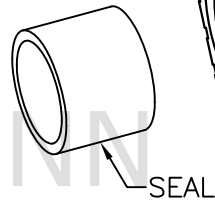
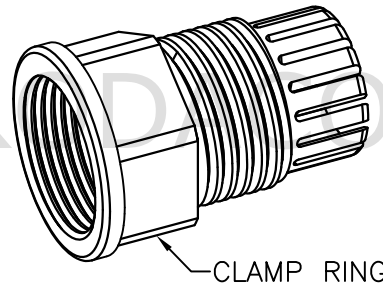
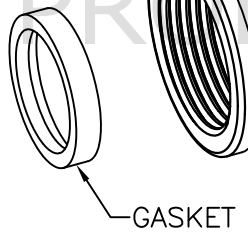
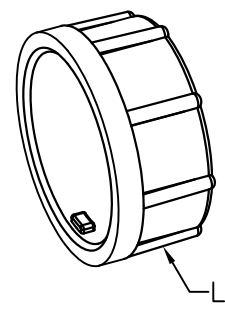
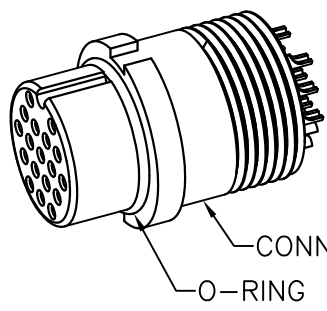


REV.	ECN NO.	DATE	SIGN	DESCRIPTION
01	Initial Release	2021/09/22	YU-FEI	New Item



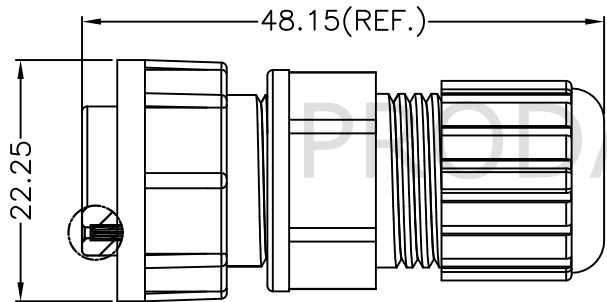
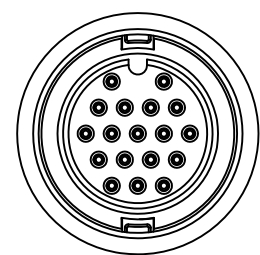
Pin Assignments
Front View



- Note:
- * IP Grade: IP67
 - * Rated current: 2A
 - * Rated voltage: 250V

8		Lock Nut: Nylon	1
7		Sealing Nut: Nylon	1
6		Seal: Rubber	1
5	CIRCULAR MIDDLE ASS'Y	Clamp Ring: Nylon	1
4		Lock Nut: Nylon	1
3		O-Ring: Rubber	1
2		Pin: Copper Alloy,Gold Plated	18
1		Housing: Nylon,Black	1
NO.		ITEM	SPEC

BOM LIST



Recommend
Cable ODø6.5mm ~7.6mm
Cable ODø8.6mm ~9.6mm

PRODACONN

TOLERANCE UNLESS OTHERWISE SPECIFIED: ±0.5

REV. 01
SCALE 1:1

DRAWN BY YU-FEI	APPROVED BY Roy	DATE(Y/M/D) 2021/09/22	PAGE 1/1	SIZE A4
PART NO: CCU18-FFAP-LS0-F0	TITLE CIRCULAR MIDDLED ASS'Y,LOCK			
CUSTOMER NO:				

THIS DOCUMENT IS CONFIDENTIAL AND A PROPERTY OF PRODACONN. DISCLOSURE TO THIRD PARTY HAS TO BE AUTHORIZED BY PRODACONN