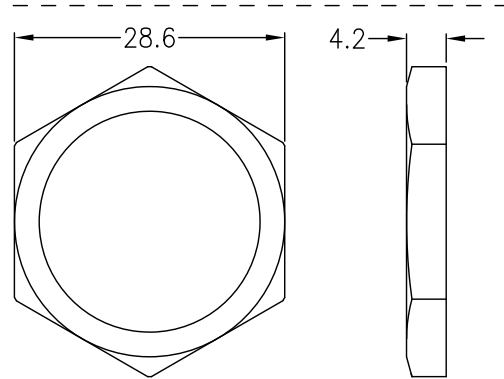
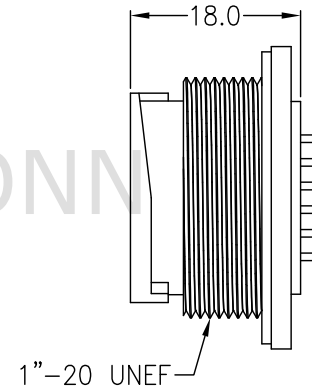
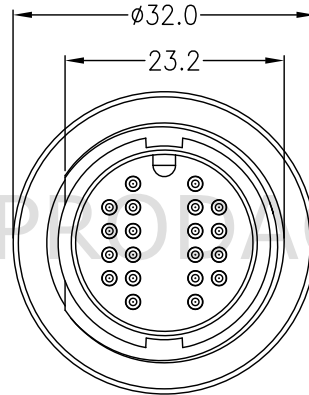
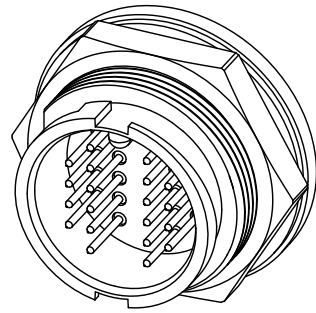


REV.	ECN NO.	DATE	SIGN	DESCRIPTION
01	Initial Release	2021/08/31	Ann	New Item



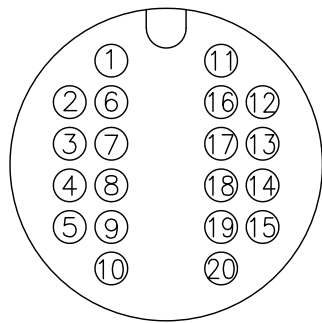
Hex Nut



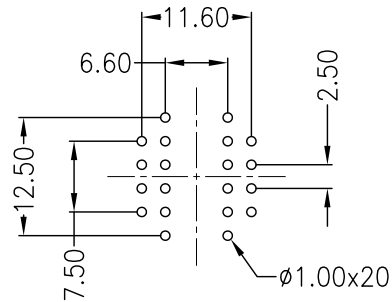
Note:  
 \* IP Grade: IP67  
 \* Rated current: 2A  
 \* Rated voltage: 300V

NO.	ITEM	SPEC	QTY
4	Hex Nut	PA66,Black	1
3	Gasket	Silicone	1
2	Male Pin	Copper Alloy,Gold Plated	20
1	Housing	PA66,Black	1

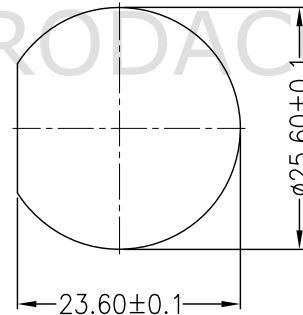
BOM LIST



Pin Assignments  
Front View



Recommend  
PCB Layout



Recommend  
Panel Cut-Out

⊕ All dimension in mm

TOLERANCE UNLESS OTHERWISE SPECIFIED: ±0.5

REV. 01

SCALE 1:1

DRAWN BY	Ann	APPROVED BY	Roy	DATE(Y/M/D)	2021/08/31	PAGE	1/1	SIZE	A4
PART NO:	CDU20-MMPF-LD0-FO			TITLE					
CUSTOMER NO:				CIRCULAR,LARGE,PANEL					

THIS DOCUMENT IS CONFIDENTIAL AND A PROPERTY OF PRODACONN. DISCLOSURE TO THIRD PARTY HAS TO BE AUTHORIZED BY PRODACONN