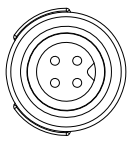
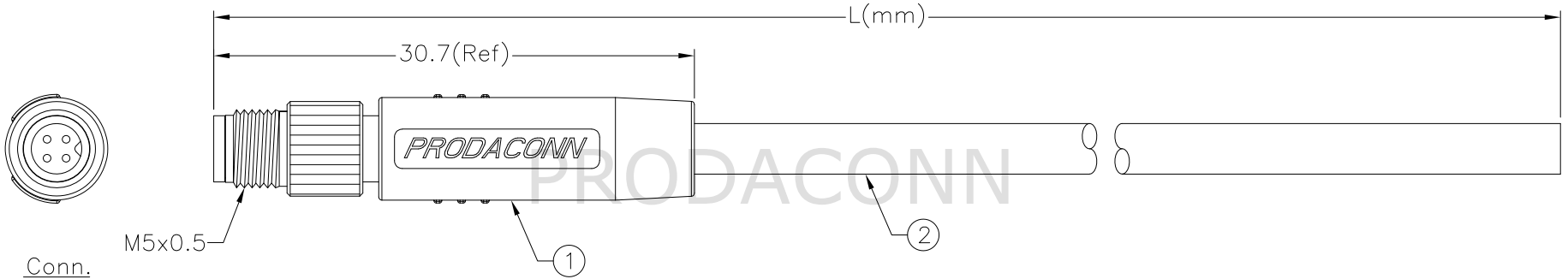


REV.	ECN NO.	DATE	SIGN	DESCRIPTION
A	Initial Release	2022/09/21	Ann	New Item



Conn.



Part No.:
M5A04-PPNL-MXX

Cable Length
01: 01Meter
02: 02Meters
:
99: 99Meters(Max.)

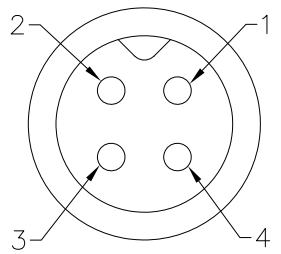
* Cable Length Tolerance:
1M~5M: ±50mm
5.01M~10M: ±80mm
10.01M~20M: ±100mm
20.01M~30M: ±150mm
30.01M~40M: ±200mm
40.01M~50M: ±250mm

Note:

- ① * IP Grade: IP67
- * Housing: TPU,Black
- * Pin: Copper Alloy,Gold Plated
- * Nut: Copper Alloy,Satin Nickel Plated
- * Shell: Copper Alloy,Bight Tin Plated
- ② * Cable: UL2517 28AWG*4C,
PVC Jacket,OD3.2mm,Black

Electrical Characteristics:

- * Rated Current: 1A
- * Rated Voltage: 60V



Pin Assignments
Front View

4	Black	黑
3	Green	綠
2	White	白
1	Red	紅
Conn.	Wire Color	
	Pin Out	

		All dimension in mm	
		TOLERANCE UNLESS OTHERWISE SPECIFIED ±0.5	REV. A SCALE 1:1
DRAWN BY Ann	APPROVED BY Roy	DATE(Y/M/D) 2022/09/21	PAGE 1/1 SIZE A4
PART NO.: M5A04-PPNL-MXX		TITLE: M5 MALE MOLDING TYPE	
CUSTOMER NO.:			
THIS DOCUMENT IS CONFIDENTIAL AND A PROPERTY OF PRODACONN. DISCLOSURE TO THIRD PARTY HAS TO BE AUTHORIZED BY PRODACONN.			