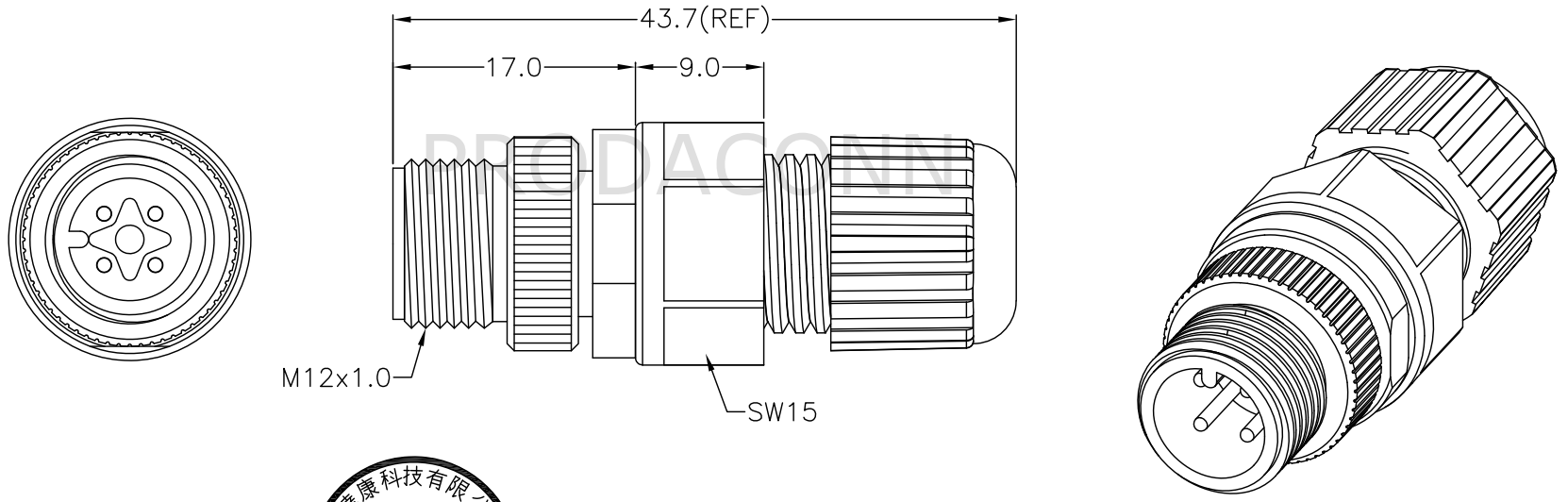
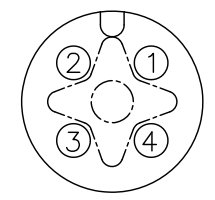


5	REV.	ECN NO.	DATE	SIGN	DESCRIPTION
01	Initial Release	2021/09/15	Ann	New Item	



Note:
 * IP Grade: IP67
 * Rated current: 4A
 * Rated voltage: 250V AC/DC
 * Recommend Cable OD: 5.0~6.8mm

8	Sealing Nut	Nylon,Black	1
7	Seal	Silicone	1
6	Clamp Ring	Nylon,Black	1
5	Screw Nut	Aluminum Alloy,Nickel Plated	1
4	Shell	Copper Alloy,Nickel Plated	1
3	Gasket	Silicone	1
2	Pin	Copper Alloy,Gold Plated	4
1	Housing	PBT,Black	1
NO.	ITEM	SPEC	QTY



Pin Assignments
Front View

⊕ All dimension in mm

TOLERANCE UNLESS OTHERWISE SPECIFIED

±0.5

REV. 01	DATE 2021/09/15	SIGN Ann	DESCRIPTION New Item
DRAWN BY Ann		APPROVED BY Roy	DATE(Y/M/D) 2021/09/15
PART NO: 12A04-PASH-LS0-F0		TITLE M12,A-CODE,ASS'Y	
CUSTOMER NO:		PAGE 1/1	SIZE A4

THIS DOCUMENT IS CONFIDENTIAL AND A PROPERTY OF TiMyn. DISCLOSURE TO THIRD PARTY HAS TO BE AUTHORIZED BY Prodaconn.

BOM LIST