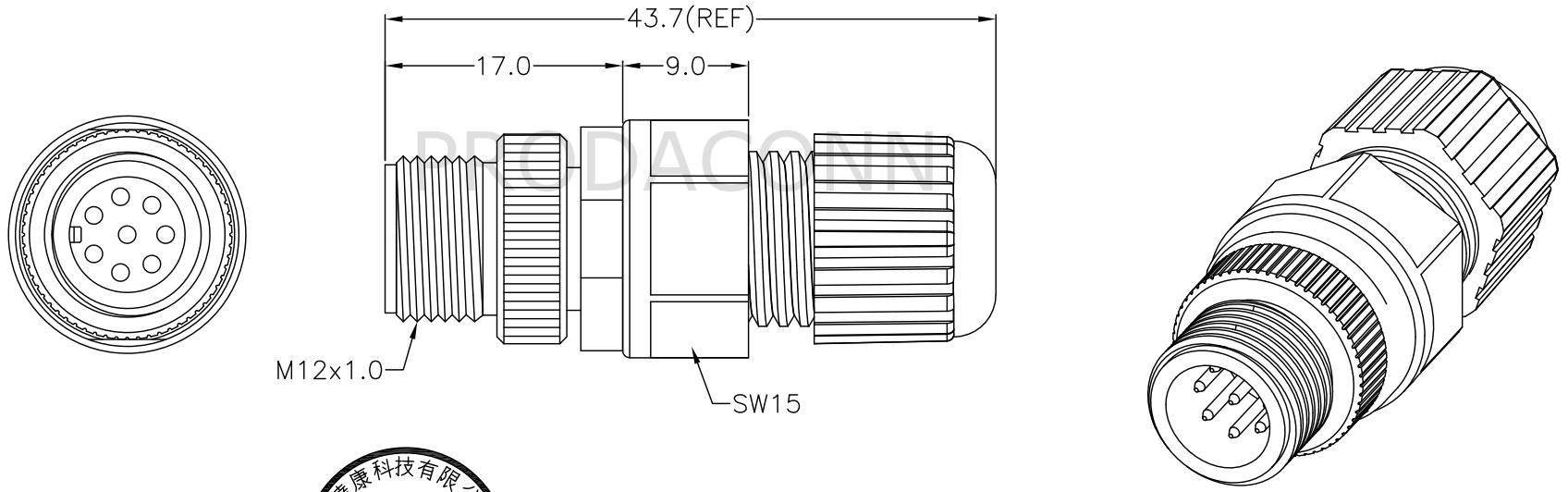
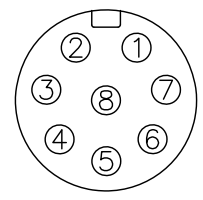


REV.	ECN NO.	DATE	SIGN	DESCRIPTION
01	Initial Release	2021/09/15	Ann	New Item



Note:  
 \* IP Grade: IP67  
 \* Rated current: 2A  
 \* Rated voltage: 30V AC/DC  
 \* Recommend Cable OD: 5.0~6.8mm

8	Sealing Nut	Nylon,Black	1
7	Seal	Silicone	1
6	Clamp Ring	Nylon,Black	1
5	Screw Nut	Aluminum Alloy,Nickel Plated	1
4	Shell	Copper Alloy,Nickel Plated	1
3	Gasket	Silicone	1
2	Pin	Copper Alloy,Gold Plated	8
1	Housing	PBT,Black	1
NO.	ITEM	SPEC	QTY



Pin Assignments  
Front View

⊕ All dimension in mm

TOLERANCE UNLESS OTHERWISE SPECIFIED

±0.5

REV.	01								
SCALE	1:1								
DRAWN BY	Ann	APPROVED BY	Roy	DATE(Y/M/D)	2021/09/15	PAGE	1/1	SIZE	A4
PART NO:	12A08-PASH-LS0-F0		TITLE						
CUSTOMER NO:			M12,A-CODE,ASS'Y						

THIS DOCUMENT IS CONFIDENTIAL AND A PROPERTY OF PRODACONN. DISCLOSURE TO THIRD PARTY HAS TO BE AUTHORIZED BY PRODACONN

BOM LIST