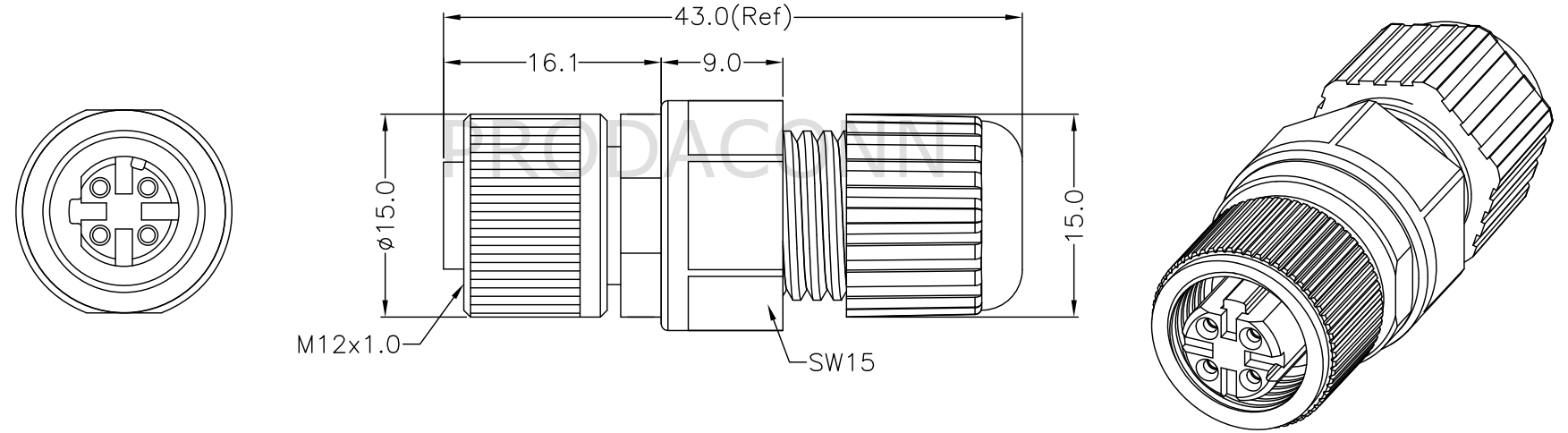
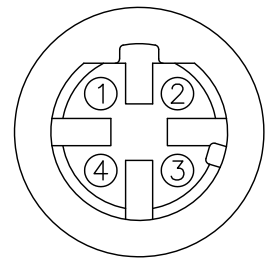


5	REV.	ECN NO.	DATE	SIGN	DESCRIPTION
01	Initial Release	2021/09/15	Ann	New Item	



Note:  
 \* IP Grade: IP67  
 \* Rated current: 4A  
 \* Rated voltage: 250V AC/DC  
 \* Recommend Cable OD: 5.0~6.8mm

9	Sealing Nut	Nylon,Black	1
8	Seal	Silicone	1
7	Clamp Ring	Nylon,Black	1
6	Gasket	Silicone	1
5	Nut	Aluminum Alloy,Nickel Plated	1
4	Shell	Copper Alloy,Nickel Plated	1
3	O-Ring	EPDM	1
2	Pin	Copper Alloy,Gold Plated	4
1	Housing	PBT,Black	1
NO.	ITEM	SPEC	QTY



Pin Assignments  
Front View

**PRODACONN**

**PRODACONN**

All dimension in mm

TOLERANCE UNLESS OTHERWISE SPECIFIED: ±0.5

REV. 01  
SCALE 1:1

DRAWN BY Ann	APPROVED BY Roy	DATE(Y/M/D) 2021/09/15	PAGE 1/1	SIZE A4
PART NO: 12D04-SASH-LS0-F0		TITLE M12,D-CODE,ASS'Y		
CUSTOMER NO:				

THIS DOCUMENT IS CONFIDENTIAL AND A PROPERTY OF PRODACONN. DISCLOSURE TO THIRD PARTY HAS TO BE AUTHORIZED BY PRODACONN

BOM LIST