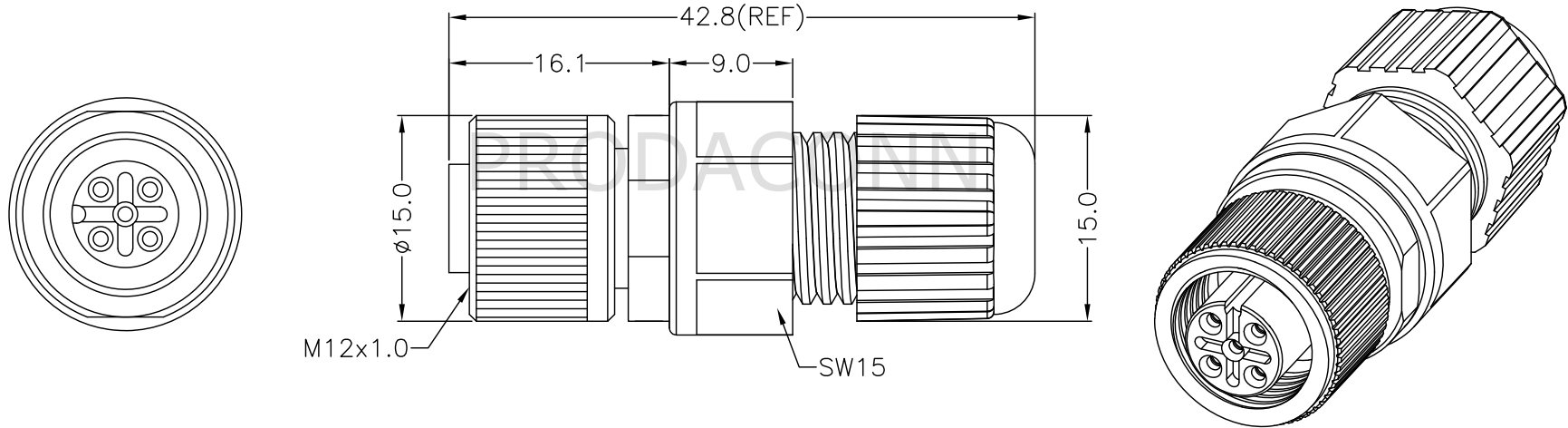


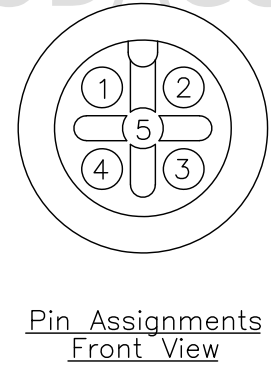
REV.	ECN NO.	DATE	SIGN	DESCRIPTION
01	Initial Release	2021/07/30	Ann	New Item



Note:  
 \* IP Grade: IP67  
 \* Rated current: 4A  
 \* Rated voltage: 60V AC/DC  
 \* Recommend Cable OD: 5.0~6.8mm

9	Sealing Nut	Nylon,Black	1
8	Seal	Silicone	1
7	Clamp Ring	Nylon,Black	1
6	Gasket	Silicone	1
5	Nut	Aluminum Alloy,Nickel Plated	1
4	Shell	Copper Alloy,Nickel Plated	1
3	O-Ring	EPDM	1
2	Pin	Copper Alloy,Gold Plated	5
1	Housing	PBT,Black	1
NO.	ITEM	SPEC	QTY

BOM LIST



All dimension in mm

TOLERANCE UNLESS OTHERWISE SPECIFIED  ±0.5	REV.	01
	SCALE	1:1

DRAWN BY Ann	APPROVED BY Roy	DATE(Y/M/D) 2021/07/30	PAGE 1/1	SIZE A4
-----------------	--------------------	---------------------------	-------------	------------

PART NO: 12A05-SASH-LS0-F0	TITLE M12,A-CODE,ASS'Y
-------------------------------	---------------------------

CUSTOMER NO:

THIS DOCUMENT IS CONFIDENTIAL AND A PROPERTY OF Timyn. DISCLOSURE TO THIRD PARTY HAS TO BE AUTHORIZED BY Prodaconn.