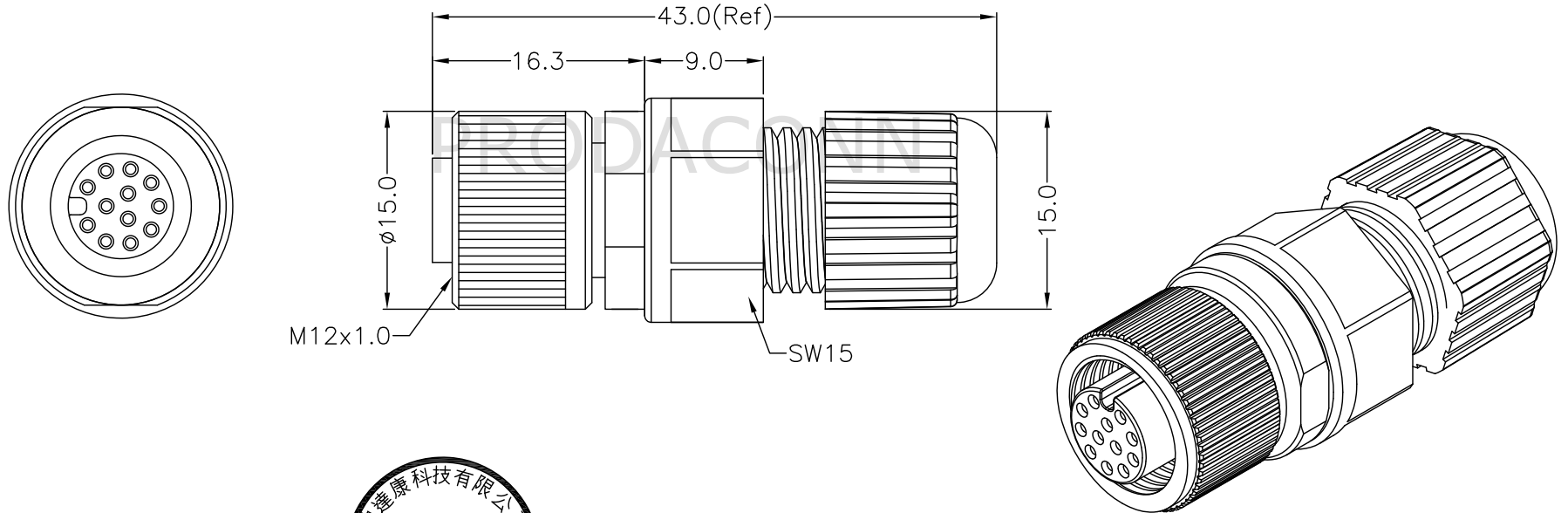


5	6	7	8
REV. 01	ECN NO. Initial Release	DATE 2021/09/15	SIGN Ann DESCRIPTION New Item

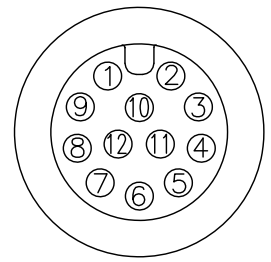


Note:
 * IP Grade: IP67
 * Rated current: 1.5A
 * Rated voltage: 30V AC/DC
 * Recommend Cable OD: 5.0~6.8mm



9	Sealing Nut	Nylon,Black	1
8	Seal	Silicone	1
7	Clamp Ring	Nylon,Black	1
6	Gasket	Silicone	1
5	Nut	Aluminum Alloy,Nickel Plated	1
4	Shell	Copper Alloy,Nickel Plated	1
3	O-Ring	EPDM	1
2	Pin	Copper Alloy,Gold Plated	12
1	Housing	PBT,Black	1
NO.	ITEM	SPEC	QTY

BOM LIST



Pin Assignments
Front View

All dimension in mm

TOLERANCE UNLESS OTHERWISE SPECIFIED: ±0.5

REV. 01
SCALE 1:1

DRAWN BY Ann	APPROVED BY Roy	DATE(Y/M/D) 2021/09/15	PAGE 1/1	SIZE A4
PART NO: 12A12-SASH-LS0-F0		TITLE: M12,A-CODE,ASS'Y		
CUSTOMER NO:				

THIS DOCUMENT IS CONFIDENTIAL AND A PROPERTY OF PRODACONN. DISCLOSURE TO THIRD PARTY HAS TO BE AUTHORIZED BY PRODACONN