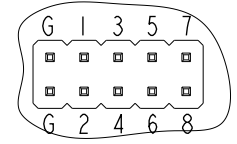
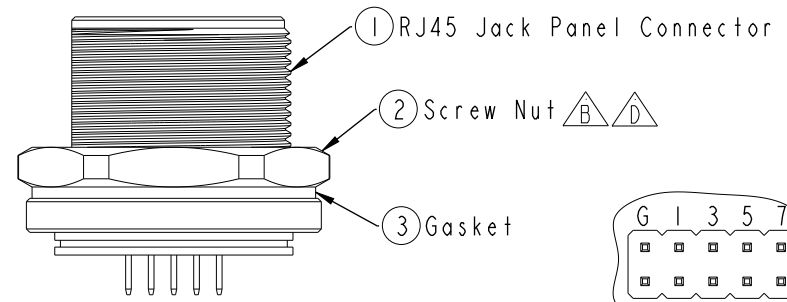
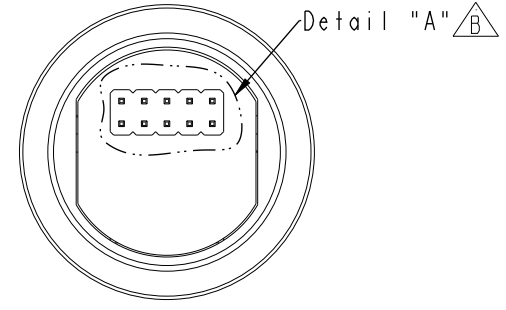
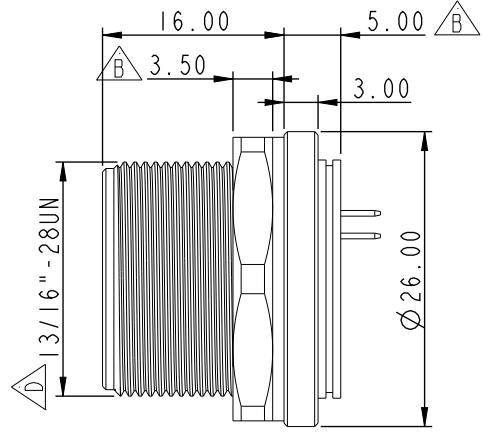
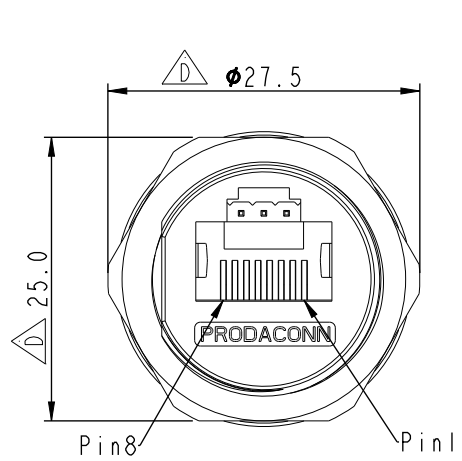
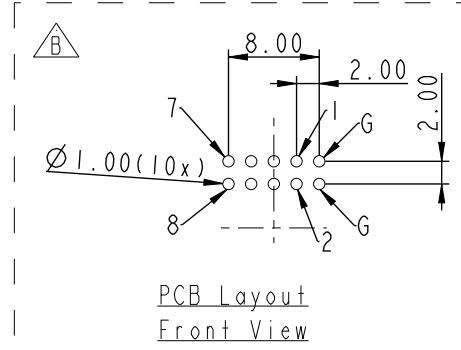


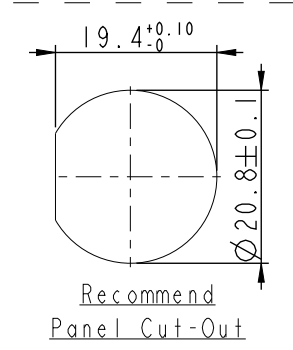
REV.	ECN NO.	DATE	SIGN	DESCRIPTION
B		2023/06/16	Ann	Change Screw Nut
C		2023/12/18	Ann	Add Nut Torque
D		2024/01/15	Ann	Modify Screw Nut



Detail "A"



PCB Layout Front View



Recommend Panel Cut-Out

Notes:

Material:

- ① RJ45 Jack Panel Connector.
 - 1.1 Housing: PBT,Black.
 - 1.2 Terminal: Copper Alloy,Gold Plated.
 - 1.3 Shielding: Zinc Alloy,Nickel Plated.
 - 1.4 Ground: SUS301
- ② Screw Nut: Copper Alloy,Nickel Plated.
- ③ Gasket: Silicone,Grey Black.

Electrical Characteristics:

- * Current Rating: 1.5A
- * Voltage Rating: 125V Dc

Recommendation:

- * For Panel Thickness Max. 4mm.
- * Temperature Rating: -40°C~+105°C
- * Mating Waterproof Rating: IP67
- * Nut Torque: 8-12kgf.cm

			TOLERANCE UNLESS OTHERWISE SPECIFIED .X ±0.25 .XX ±0.1		REV. D
			SCALE Free		PAGE 1 OF 1
DRAWN BY Ann	APPROVED BY Roy	DATE(Y/M/D) 2023/03/09	SIZE A4		
PART NO: RJM08-C20F-SLD-00		TITLE RJ45 JACK PANEL DIP TYPE			
CUSTOMER NO:					
THIS DOCUMENT IS CONFIDENTIAL AND A PROPERTY OF TiMyn. DISCLOSURE TO THIRD PARTY HAS TO BE AUTHORIZED BY PRODACONN.					