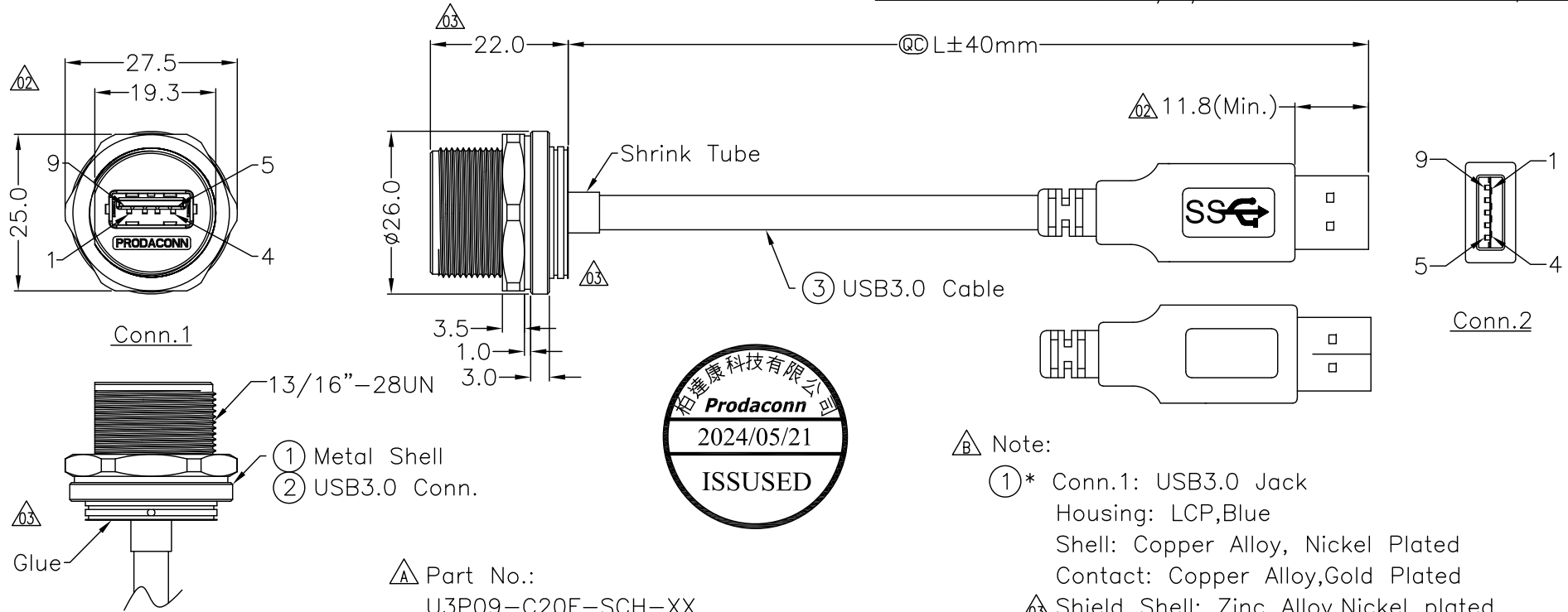


REV.	ECN NO.	DATE	SIGN	DESCRIPTION
03		2022/03/07	Luke	MOD. PART NO.
A		2023/05/09	Luke	MOD. ITEM NO.
B		2024/05/21	Ann	Add Cable Spec

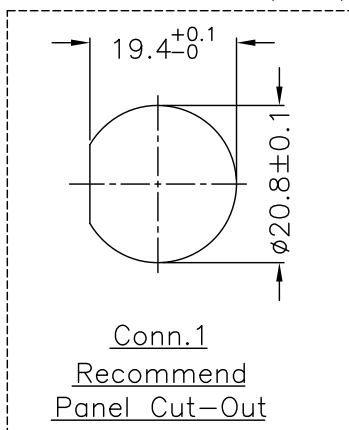



Part No.: U3P09-C20F-SCH-XX

Cable Length
 02: 20cm
 03: 30cm
 :
 05: 50cm(Max.)

- Note:
- ①* Conn.1: USB3.0 Jack
 Housing: LCP,Blue
 Shell: Copper Alloy, Nickel Plated
 Contact: Copper Alloy,Gold Plated
 Shield Shell: Zinc Alloy,Nickel plated
 Gasket: Silicone,Grey Black
 Nut: Copper Alloy,Nickel Plated
 - ②* Conn.2: USB3.0 Plug
 - ③* Cable: UL20276 (28AWGx1P+ADM)x2C+28AWGx1P +24AWGx2C+A+B,PVC Jacket,OD5.5,Black

Shell	Braid	編織	Shell	
9	Orange	28AWG	橘	Twist
8	Purple	28AWG	紫	
7	Drain(紫+橘)		地線	Twist
6	Yellow	28AWG	黄	
5	Blue	28AWG	藍	Twist
4	Black	24AWG	黑	
3	Green	28AWG	綠	Twist
2	White	28AWG	白	
1	Red	24AWG	紅	
Conn.1	Wire Color		Conn.2	
Pin Out				





All dimension in mm

TOLERANCE UNLESS OTHERWISE SPECIFIED

±0.5

REV.	B
SCALE	Free
DRAWN BY	LUKE
APPROVED BY	ROY
DATE(Y/M/D)	2022/03/07
PAGE	1/1
SIZE	A4
PART NO.	U3M09-C20F-SCH-XX
TITLE	USB3.0 Panel Type with USB3.0 Plug
CUSTOMER NO.	

THIS DOCUMENT IS CONFIDENTIAL AND A PROPERTY OF TiMyn. DISCLOSURE TO THIRD PARTY HAS TO BE AUTHORIZED BY Prodaconn.