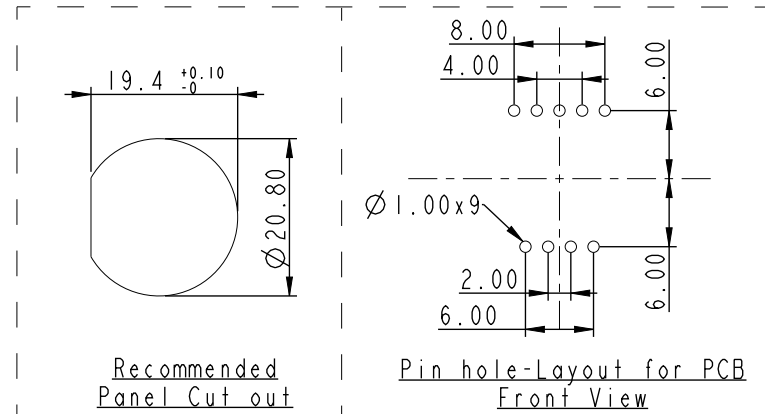
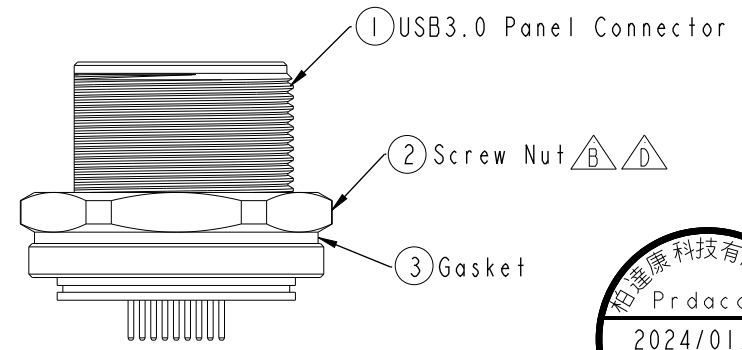
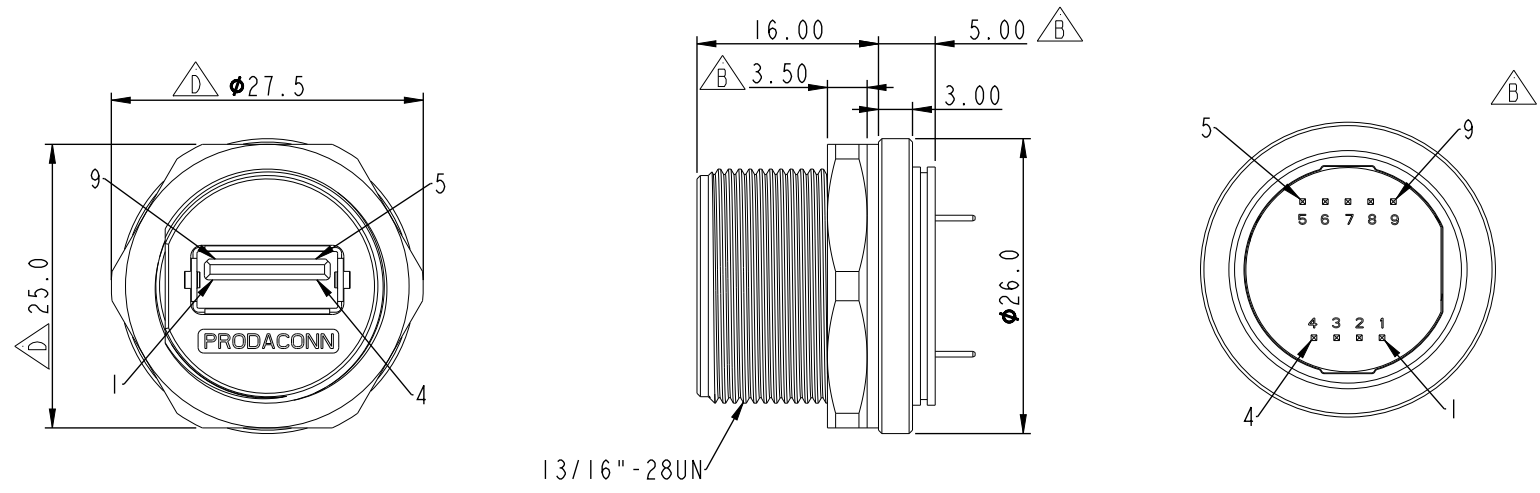


REV.	ECN NO.	DATE	SIGN	DESCRIPTION
B		2023/06/14	Ann	Modify Screw Nut
C		2023/12/18	Ann	Add Nut Torque
D		2024/01/15	Ann	Modify Screw Nut



Notes:

Material:

- ① USB3.0 Panel Connector.
 - 1.1 Housing: LCP+GF,Blue.
 - 1.2 Terminal: Copper Alloy,Gold Plated. On Contact Area.
 - 1.3 Shell: Spcc,Nickel Plated.
 - 1.4 Shielding: Zinc Alloy,Nickel Plated.
 - 1.5 Pin Header: PBT+Copper Alloy, Gold Plated.
- ② Screw Nut: Copper Alloy,Nickel Plated.
- ③ Gasket: Silicone,Grey Black.

Electrical Characteristics:

- * Current Rating: 1.0A
- * Voltage Rating: 30V Dc

Recommendation:

- * For Panel Thickness Max. 4mm.
- * Temperature Rating: -40°C~+105°C
- * Mating Waterproof Rating:IP67
- * Nut Torque: 8-12kgf.cm

		TOLERANCE UNLESS OTHERWISE SPECIFIED .X ±0.25 .XX ±0.1		REV.
		SCALE Free		D
DRAWN BY Ann	APPROVED BY Roy	DATE(Y/M/D) 2023/02/24	PAGE 1 OF 1	SIZE A4
PART NO: U3M09-C20F-SLD-00		TITLE USB3.0 PANEL DIP TYPE		
CUSTOMER NO:		THIS DOCUMENT IS CONFIDENTIAL AND A PROPERTY OF TiMyn. DISCLOSURE TO THIRD PARTY HAS TO BE AUTHORIZED BY PRODACONN.		