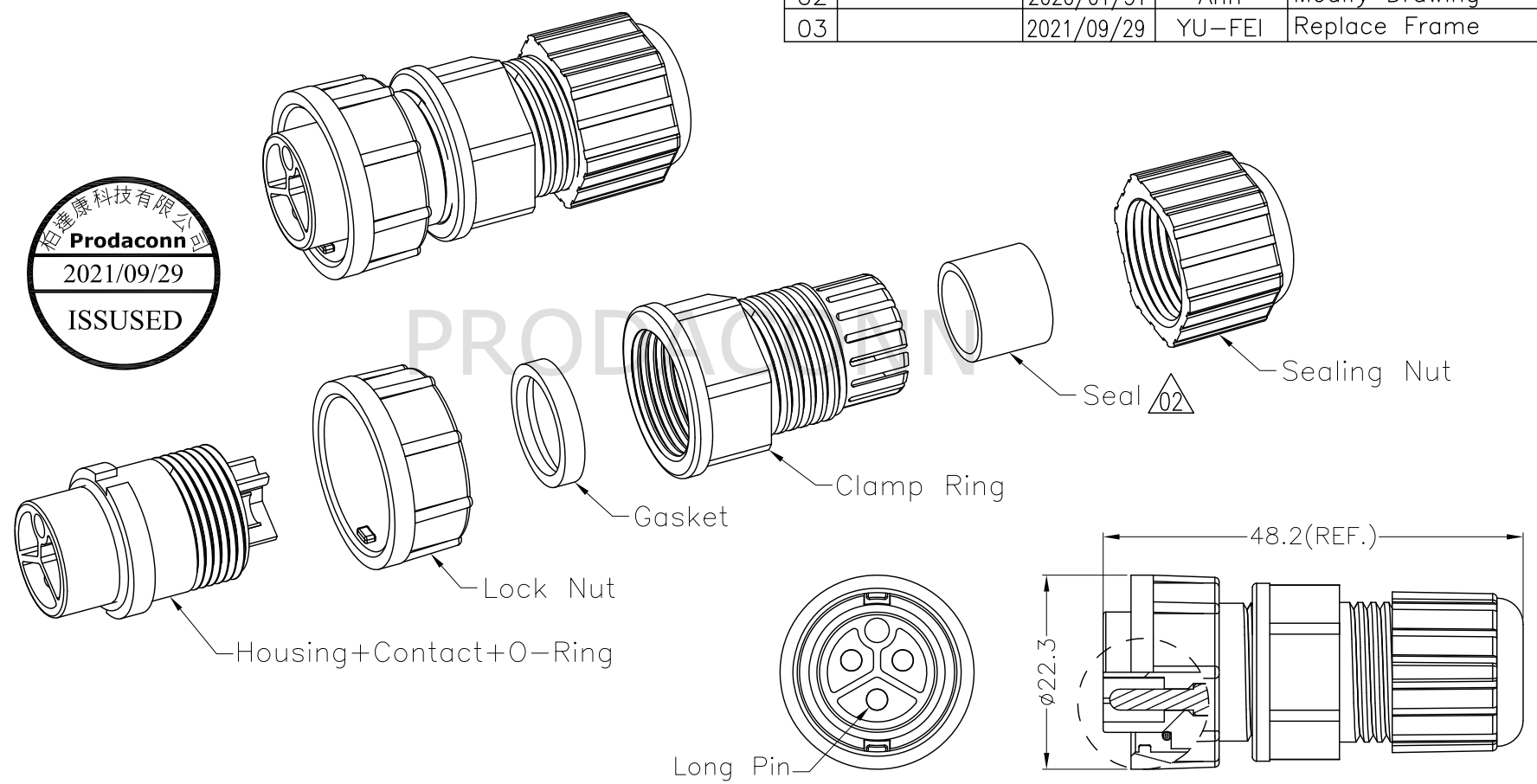
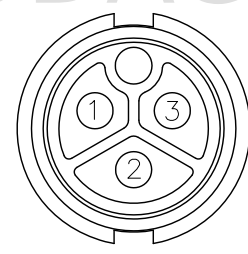


REV.	ECN NO.	DATE	SIGN	DESCRIPTION
01	Initial Release	2021/02/08	Ann	New Item
02		2020/01/31	Ann	Modify Drawing
03		2021/09/29	YU-FEI	Replace Frame



Note:
 * IP Grade: IP67
 * Rated current: 20A
 * Rated voltage: 250V

NO.	ITEM	SPEC	QTY
8	Power Assy(Lock) F Conn. M Pin(20A)	Sealing Nut: Nylon+GF,Black	1
7		Seal: Rubber	1
6		Clamp Ring: Nylon+GF,Black	1
5		O-Ring: Rubber	1
4		Lock Nut: Nylon+GF,Black	1
3		Gasket: Rubber	1
2		Pin: Copper Alloy,Gold Plated	3
1		Housing: Nylon+GF,Black	1



Pin Assignments
Front View

⊕ All dimension in mm

TOLERANCE UNLESS OTHERWISE SPECIFIED

±0.5

REV. 01	SCALE 1:1
DRAWN BY YU-FEI	APPROVED BY Roy
PART NO: POW03-FMAP-LS0-F0	TITLE: POWER 3PIN ASSY M PIN(LOCK)
CUSTOMER NO:	
DATE(Y/M/D) 2021/09/29	PAGE 1/1 SIZE A4

THIS DOCUMENT IS CONFIDENTIAL AND A PROPERTY OF PRODACONN. DISCLOSURE TO THIRD PARTY HAS TO BE AUTHORIZED BY PRODACONN

BOM LIST