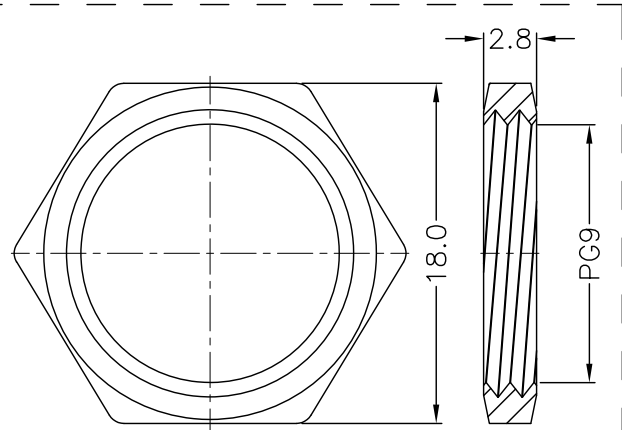


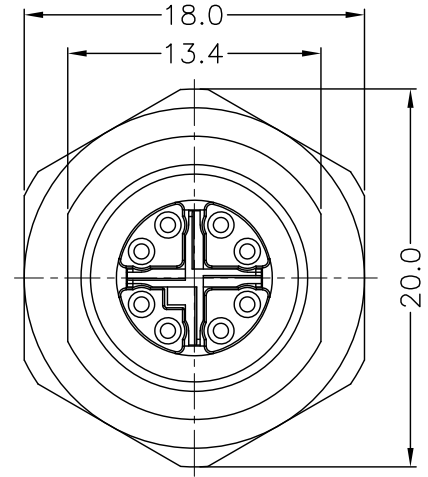
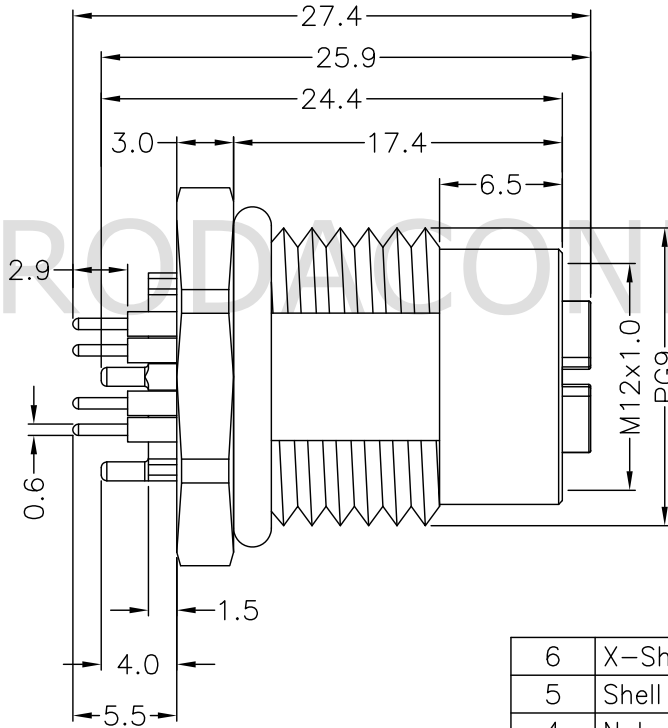
| | | | | |
|------|-----------------|------------|------|-------------|
| REV. | ECN NO. | DATE | SIGN | DESCRIPTION |
| 01 | Initial Release | 2021/08/13 | Ann | New Item |



Note:
 * IP Grade: IP67
 * Rated current: 0.5A
 * Rated voltage: 50V AC/DC

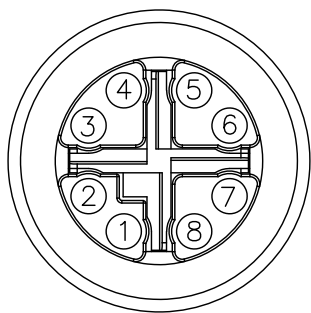


Nut

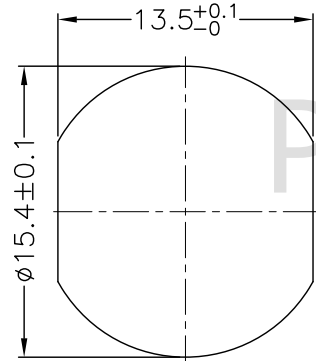


| 6 | X-Shell | Zn Alloy,Nickel Plated | 1 |
|-----|---------|----------------------------|-----|
| 5 | Shell | Copper Alloy,Nickel Plated | 1 |
| 4 | Nut | Copper Alloy,Nickel Plated | 1 |
| 3 | O-Ring | EPDM | 1 |
| 2 | Pin | Copper Alloy,Gold Plated | 8 |
| 1 | Housing | PA66,Black | 1 |
| NO. | ITEM | SPEC | QTY |

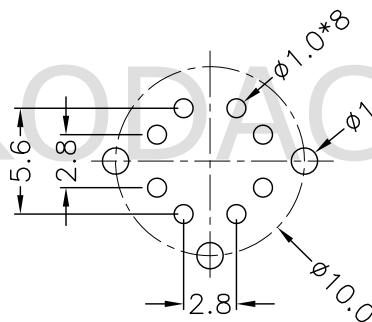
BOM LIST



Pin Assignments
Front View



Recommend
Panel Cut-Out



Recommend
PCB Layout



All dimension in mm

| | |
|--------------------------------------|-------|
| TOLERANCE UNLESS OTHERWISE SPECIFIED | REV. |
| .X ±0.25 | 01 |
| .XX ±0.1 | SCALE |
| .XXX ±0.05 | 1:1 |
| ANGLES ±1° | |

| | | | | |
|----------|-------------|-------------|------|------|
| DRAWN BY | APPROVED BY | DATE(Y/M/D) | PAGE | SIZE |
| Ann | Roy | 2021/08/13 | 1/1 | A4 |

| | |
|-------------------|-----------------------|
| PART NO: | TITLE |
| 12X08-S09F-LDS-F0 | M12 X-CODE FEMALE DIP |
| CUSTOMER NO: | |

THIS DOCUMENT IS CONFIDENTIAL AND A PROPERTY OF PRODACONN DISCLOSURE TO THIRD PARTY HAS TO BE AUTHORIZED BY PRODACONN