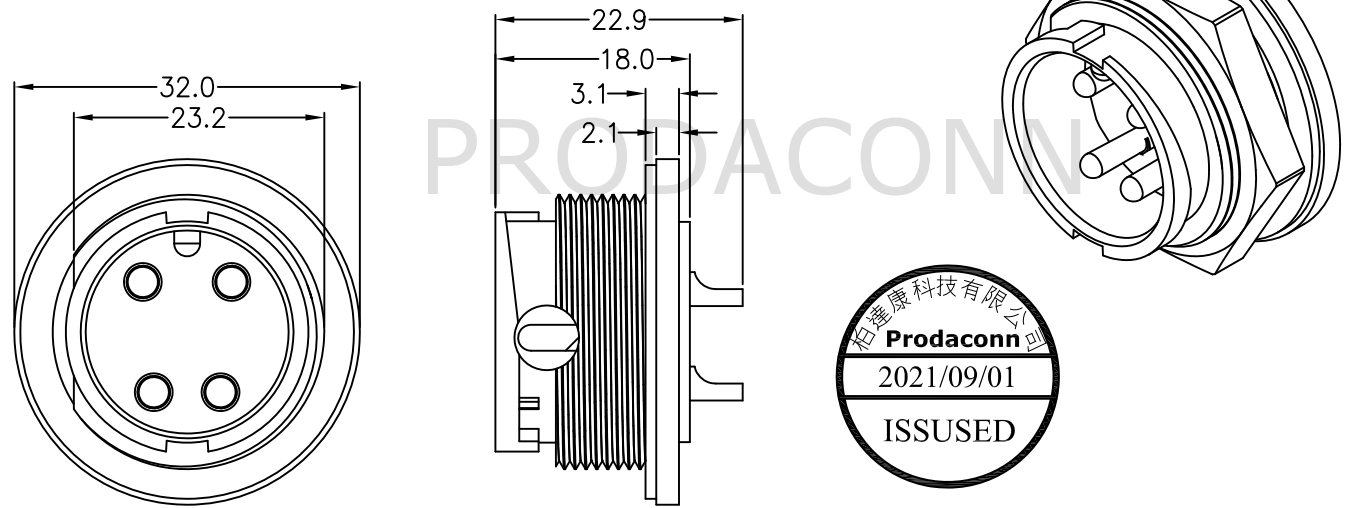
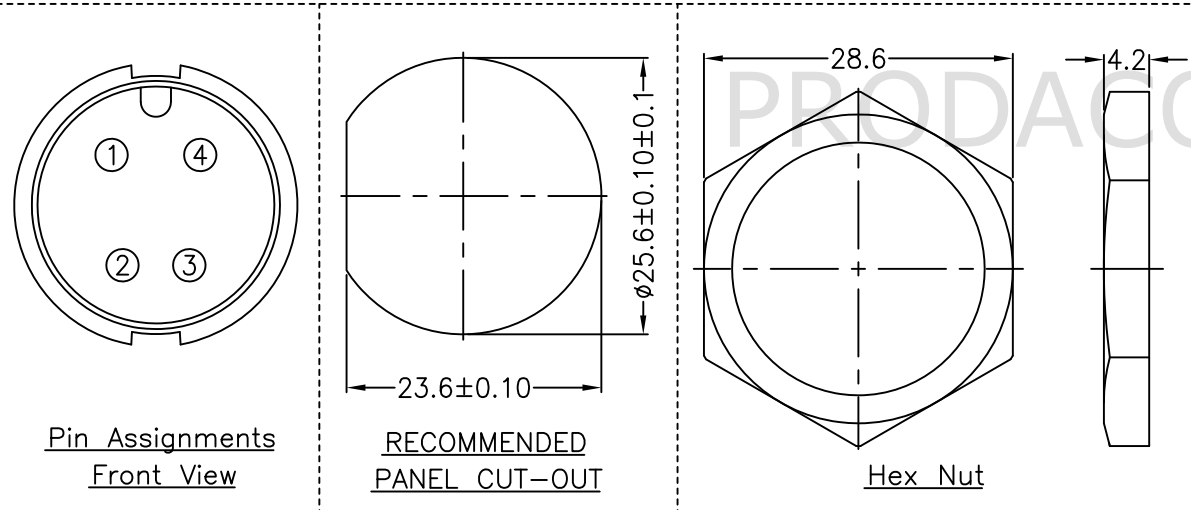


REV.	ECN NO.	DATE	SIGN	DESCRIPTION
01	Initial Release	2021/09/01	YU-FEI	New Item



- Note:
- * IP Grade: IP67
 - * Rated current: 20A
 - * Rated voltage: 300V

4		Hex Nut: Nylon	1
3	CIRCULAR LARGE PANEL	Gasket: Rubber	1
2		Pin: Copper Alloy,Gold Plated	4
1		Housing: Nylon,Black	1
NO.	ITEM	SPEC	QTY



BOM LIST

PRODACONN All dimension in mm

TOLERANCE UNLESS OTHERWISE SPECIFIED: ± 0.5

REV. 01
SCALE 1:1

DRAWN BY: YU-FEI APPROVED BY: Roy DATE(Y/M/D): 2021/09/01 PAGE: 1/1 SIZE: A4

PART NO: CDC04-MMPF-LS0-F0 TITLE: CIRCULAR LARGE PANEL(LOCK)

CUSTOMER NO:

THIS DOCUMENT IS CONFIDENTIAL AND A PROPERTY OF PRODACONN. DISCLOSURE TO THIRD PARTY HAS TO BE AUTHORIZED BY PRODACONN