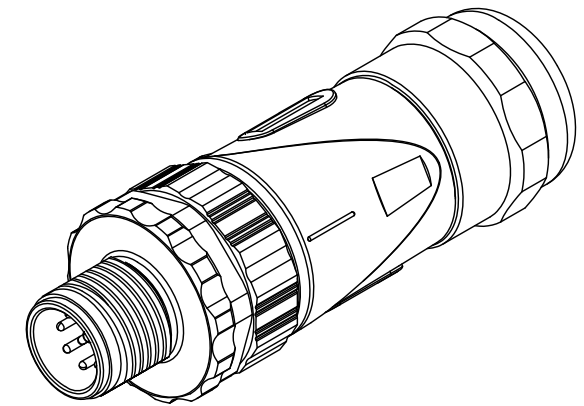
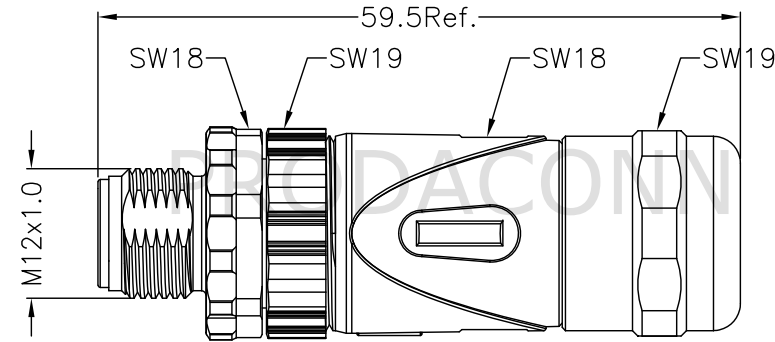
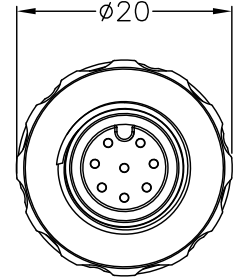


REV.	ECN NO.	DATE	SIGN	DESCRIPTION
01	Initial Release	2021/09/08	Ann	New Item



6	Sealing Nut	Nylon,Black	1
5	Clamp Ring	Nylon,Black	1
4	Seal	NBR	1
3	Nut	Zinc Alloy,Nickel Plated	1
2	Pin	Copper Alloy,Gold Plated	8
1	Housing	Nylon,Black	1
NO.	ITEM	SPEC	QTY

BOM LIST

All dimension in mm

TOLERANCE UNLESS OTHERWISE SPECIFIED: ±0.5

REV. 01

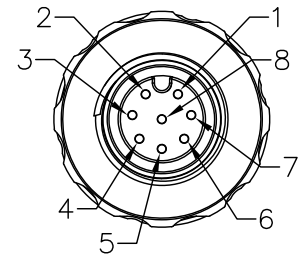
SCALE 1:1

DRAWN BY	APPROVED BY	DATE(Y/M/D)	PAGE	SIZE
Ann	Roy	2021/09/08	1/1	A4

PART NO:	TITLE
12A08-PASH-LT0-K0	M12 A-CODE ASSEMBLY
CUSTOMER NO:	

THIS DOCUMENT IS CONFIDENTIAL AND A PROPERTY OF PRODACONN. DISCLOSURE TO THIRD PARTY HAS TO BE AUTHORIZED BY PRODACONN

- Note:
- * IP Grade: IP67
 - * Rated current: 2A
 - * Rated voltage: 30V
 - * Operation Temperature: -25°C~85°C
 - * Conductor Cross Section: 20AWG Max.
 - * Cable OD Range: φ4~φ6mm(BK)/φ6~φ8mm(GY)



Pin Assignments
Front View