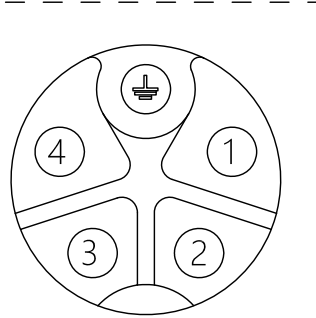
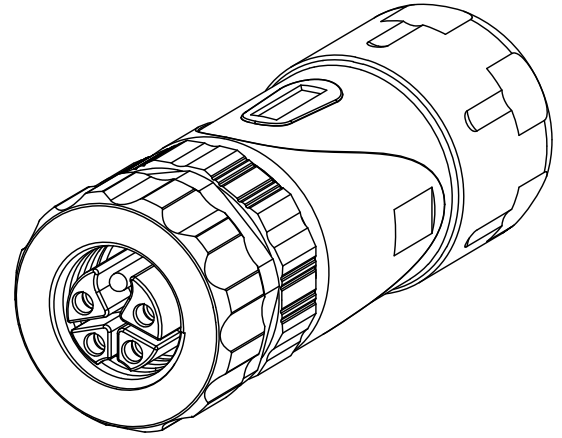
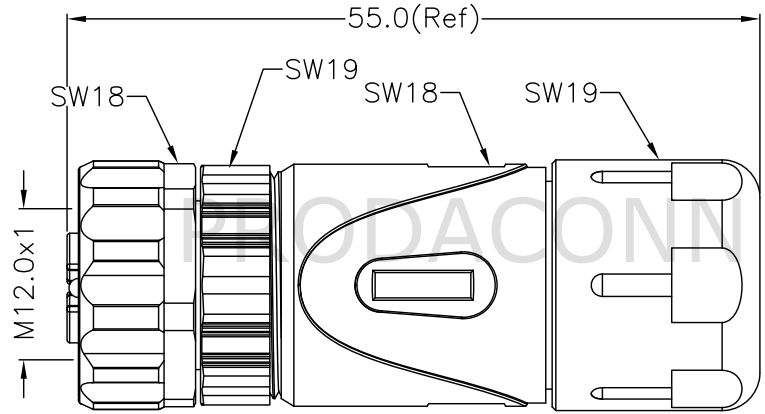
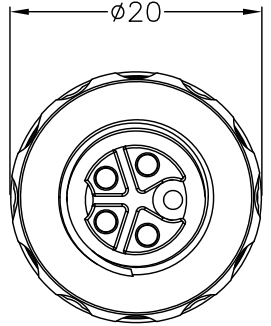


REV.	ECN NO.	DATE	SIGN	DESCRIPTION
01	Initial Release	2021/05/05	Ann	New Item




Pin Assignments
Front View

- Note:
- * IP Grade: IP67,in mated condition
 - * Rated current: 16A
 - * Rated voltage: 630V AC
 - * Operation Temperature: -25°C~85°C
 - * Connection Method: Screw connection
 - * Cable iameter: 8-10mm(BK)
 - * Conductor Cross Section(AWG): 14AWG Max.

7	Sealing Nut	Nylon,Black	1
6	Seal	FPM/FKM,Black	1
5	Clamp Ring	Nylon,Black	1
4	Nut	Zinc Alloy,Nickel Plated	1
3	O-Ring	NBR	1
2	Pin	Copper Alloy,Gold Plated	5
1	Housing	Nylon,Black	1
NO.	ITEM	SPEC	QTY

BOM LIST



⊕ All dimension in mm

TOLERANCE UNLESS OTHERWISE SPECIFIED

±0.5

REV.	01								
SCALE	1:1								
DRAWN BY	Ann	APPROVED BY	Roy	DATE(Y/M/D)	2021/05/05	PAGE	1/1	SIZE	A4
PART NO:	12K05-SASH-LT0-K0		TITLE						
CUSTOMER NO:			M12 K-CODE ASSEMBLY						
THIS DOCUMENT IS CONFIDENTIAL AND A PROPERTY OF TiMyn. DISCLOSURE TO THIRD PARTY HAS TO BE AUTHORIZED BY Prodaconn.									