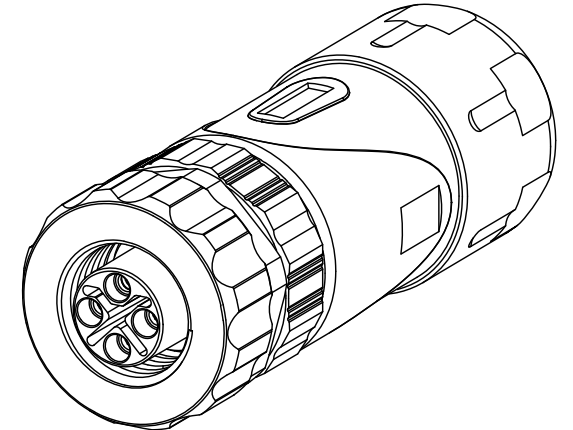
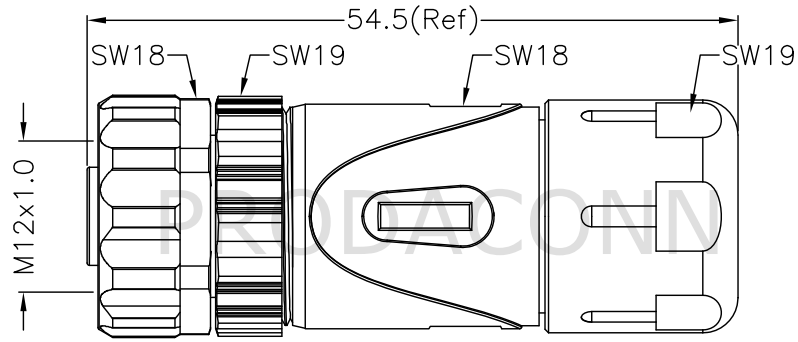
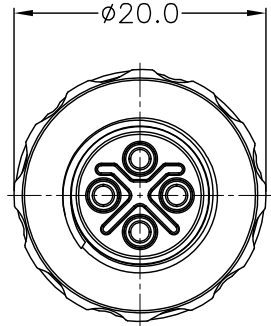


REV.	ECN NO.	DATE	SIGN	DESCRIPTION
01	Initial Release	2021/09/07	Ann	New Item

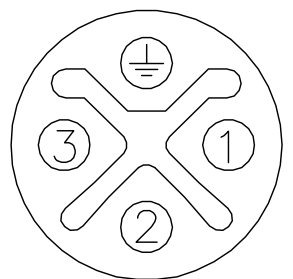


7	Sealing Nut	Nylon,Black	1
6	Seal	FPM/FKM,Black	1
5	Clamp Ring	Nylon,Black	1
4	Nut	Zinc Alloy,Nickel Plated	1
3	O-Ring	NBR	1
2	Pin	Copper Alloy,Gold Plated	4
1	Housing	Nylon,Black	1
NO.	ITEM	SPEC	QTY

BOM LIST			
		All dimension in mm	
		TOLERANCE UNLESS OTHERWISE SPECIFIED $\pm 0.5$	REV. 01 SCALE 1:1
DRAWN BY Ann	APPROVED BY Roy	DATE(Y/M/D) 2021/09/07	PAGE 1/1 SIZE A4
PART NO: 12S04-SASH-LT0-K0		TITLE M12 S-CODE ASSEMBLY	
CUSTOMER NO:		THIS DOCUMENT IS CONFIDENTIAL AND A PROPERTY OF PRODACONN DISCLOSURE TO THIRD PARTY HAS TO BE AUTHORIZED BY PRODACONN	

Note:

- \* IP Grade: IP67, In Mated Condition
- \* Rated current: 12A
- \* Rated voltage: 630V AC
- \* Operation Temperature:  $-25^{\circ}\text{C} \sim 85^{\circ}\text{C}$
- \* Connection Method: Screw connection
- \* Cable Diameter: 8-10mm
- \* Conductor Cross Section(AWG): 16AWG Max.



Pin Assignments  
Front View