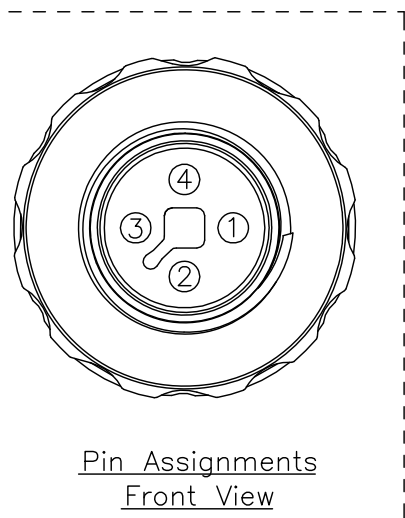
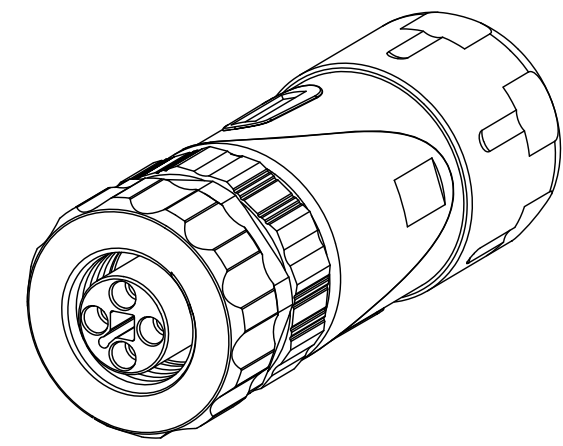
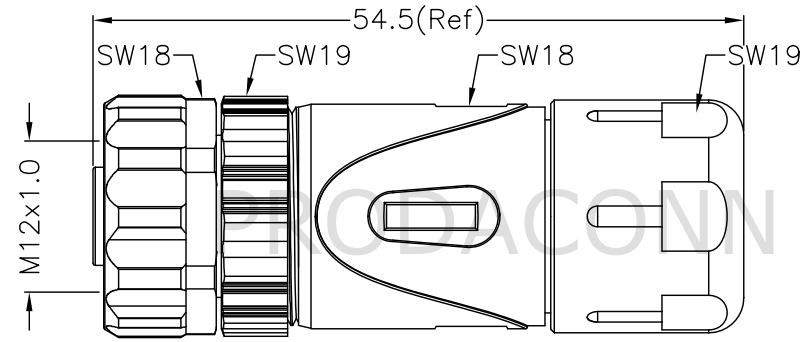
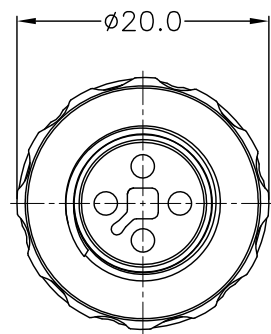



REV.	ECN NO.	DATE	SIGN	DESCRIPTION
01	Initial Release	2021/07/21	Ann	New Item



- Note:
- * IP Grade: IP67, In Mated Condition
 - * Rated current: 12A
 - * Rated voltage: 63V DC
 - * Operation Temperature: -25°C~85°C
 - * Connection Method: Screw connection
 - * Cable diameter: 8-10mm
 - * Conductor Cross Section(AWG): 16AWG Max.

7	Sealing Nut	Nylon,Black	1
6	Seal	NBR	1
5	Clamp Ring	Nylon,Black	1
4	Nut	Zinc Alloy,Nickel Plated	1
3	O-Ring	NBR	1
2	Pin	Copper Alloy,Gold Plated	4
1	Housing	Nylon,Black	1
NO.	ITEM	SPEC	QTY

BOM LIST



⊕ All dimension in mm

TOLERANCE UNLESS OTHERWISE SPECIFIED

±0.5

DRAWN BY	APPROVED BY	DATE(Y/M/D)	PAGE	SIZE
Ann	Roy	2021/07/21	1/1	A4
PART NO:		TITLE		
12T04-SASH-LT0-K0		M12 T-CODE ASSEMBLY		
CUSTOMER NO:				

THIS DOCUMENT IS CONFIDENTIAL AND A PROPERTY OF PRODACONN. DISCLOSURE TO THIRD PARTY HAS TO BE AUTHORIZED BY PRODACONN