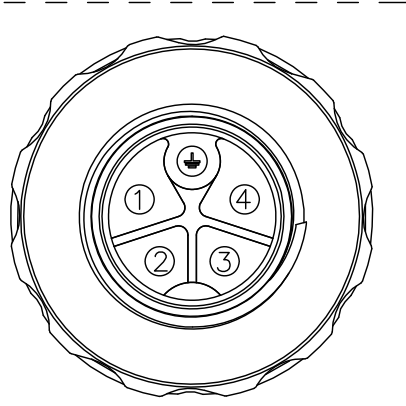
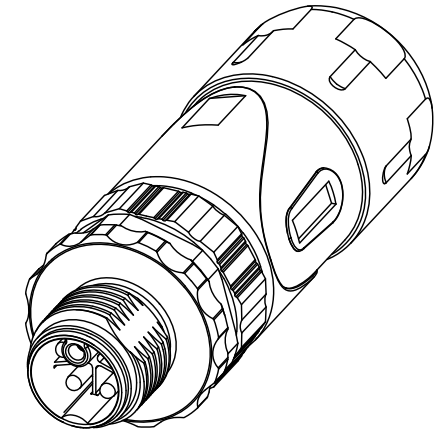
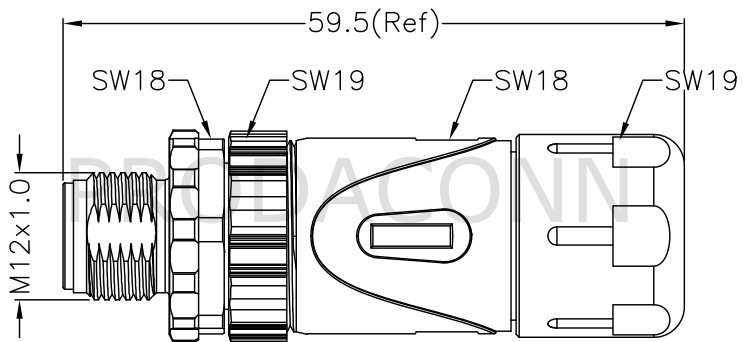
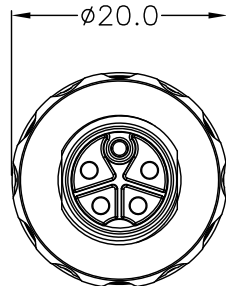


REV.	ECN NO.	DATE	SIGN	DESCRIPTION
01	Initial Release	2021/05/05	Ann	New Item



Pin Assignments  
Front View

- Note:
- \* IP Grade: IP67, in mated condition
  - \* Rated current: 16A
  - \* Rated voltage: 630V AC
  - \* Operation Temperature: -25°C~85°C
  - \* Conductor Cross Section: 14AWG Max.
  - \* Cable OD Range:  $\phi 8 \sim \phi 10$ mm

6	Sealing Nut	Nylon,Black	1
5	Clamp Ring	Nylon,Black	1
4	Seal	NBR	1
3	Nut	Zinc Alloy,Nickel Plated	1
2	Pin	Copper Alloy,Gold Plated	5
1	Housing	Nylon,Black	1
NO.	ITEM	SPEC	QTY

BOM LIST

PRODACONN



All dimension in mm

TOLERANCE UNLESS OTHERWISE SPECIFIED:  $\pm 0.5$

REV. 01  
SCALE 1:1

DRAWN BY Ann	APPROVED BY Roy	DATE(Y/M/D) 2021/05/05	PAGE 1/1	SIZE A4
-----------------	--------------------	---------------------------	-------------	------------

PART NO: 12K05-PASH-LT0-K0	TITLE M12 K-CODE ASSEMBLY
CUSTOMER NO:	

THIS DOCUMENT IS CONFIDENTIAL AND A PROPERTY OF PRODACONN. DISCLOSURE TO THIRD PARTY HAS TO BE AUTHORIZED BY PRODACONN