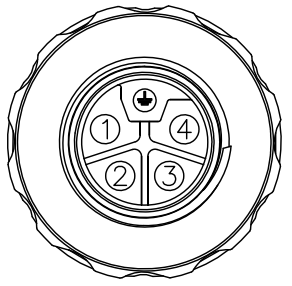
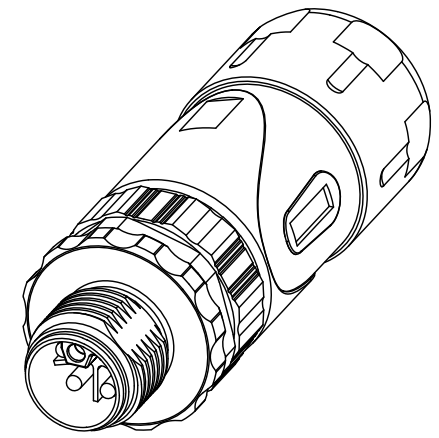
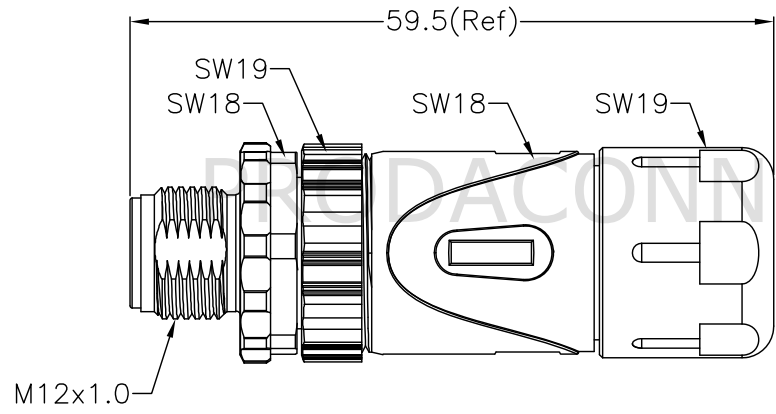
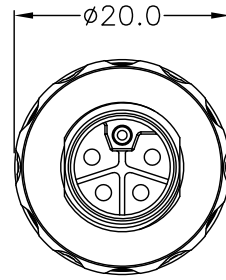


REV.	ECN NO.	DATE	SIGN	DESCRIPTION
01	Initial Release	2021/08/02	Ann	New Item



Pin Assignments
Front View

- Note:
- * IP Grade: IP67,in mated condition
 - * Rated current: 16A
 - * Rated voltage: 63V DC
 - * Operation Temperature: -25°C~85°C
 - * Conductor Cross Section: 14AWG Max.
 - * Cable OD Range: $\phi 8 \sim \phi 10$ mm

6	Sealing Nut	Nylon,Black	1
5	Clamp Ring	Nylon,Black	1
4	Seal	NBR	1
3	Nut	Zinc Alloy,Nickel Plated	1
2	Pin	Copper Alloy,Gold Plated	5
1	Housing	Nylon,Black	1
NO.	ITEM	SPEC	QTY

BOM LIST

⊕ All dimension in mm

TOLERANCE UNLESS OTHERWISE SPECIFIED

±0.5

DRAWN BY	Ann	APPROVED BY	Roy	DATE(Y/M/D)	2021/08/02	PAGE	1/1	SIZE	A4
PART NO:		12L05-PASH-LTO-KO		TITLE					
CUSTOMER NO:		M12 L-CODE ASSEMBLY							
THIS DOCUMENT IS CONFIDENTIAL AND A PROPERTY OF PRODACONN. DISCLOSURE TO THIRD PARTY HAS TO BE AUTHORIZED BY PRODACONN									