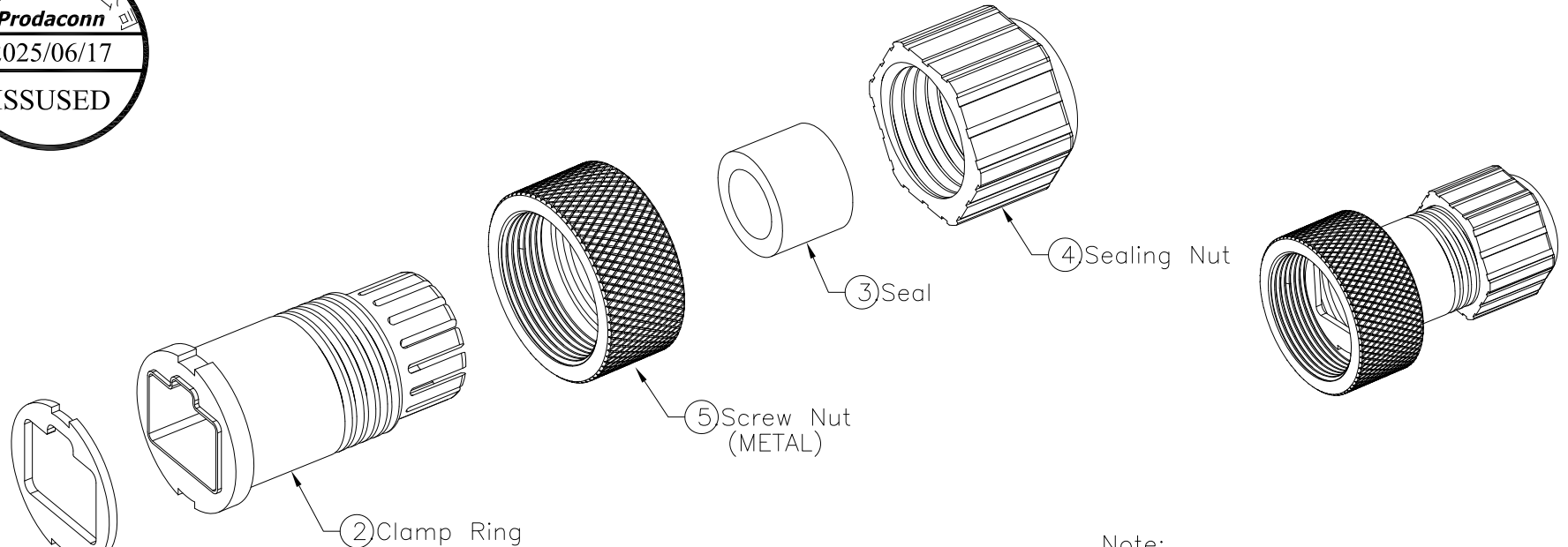
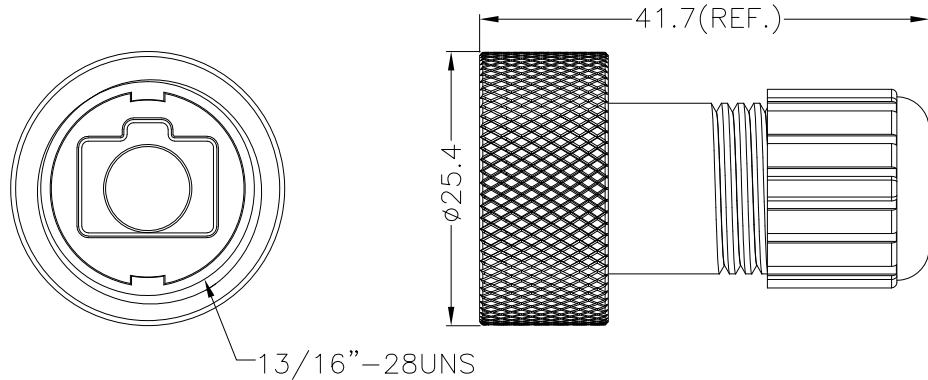


5	6	7	8
REV. A	ECN NO. Initial Release	DATE 2025/06/17	SIGN Vincent.C
			DESCRIPTION New Item



Note:

- * IP Grade: IP67
- ① Gasket: Rubber
- ② Clamp Ring: Nylon,Black
- ③ Seal: Rubber
- ④ Sealing Nut: Nylon,Black
- ⑤ Screw Nut: Copper alloy,Nickel Plated.



		All dimension in mm	
		TOLERANCE UNLESS OTHERWISE SPECIFIED ± 0.5	REV. A SCALE Free
DRAWN BY Vincent.C	APPROVED BY Roy	DATE(Y/M/D) 2025/06/17	PAGE 1/1 SIZE A4
PART NO: RJM00-SASP-S00-00		TITLE RJ45 ASSEMBLY TYPE 13/16"-28UNS (METAL)	
CUSTOMER NO:			
THIS DOCUMENT IS CONFIDENTIAL AND A PROPERTY OF TiMyn. DISCLOSURE TO THIRD PARTY HAS TO BE AUTHORIZED BY Prodaconn.			